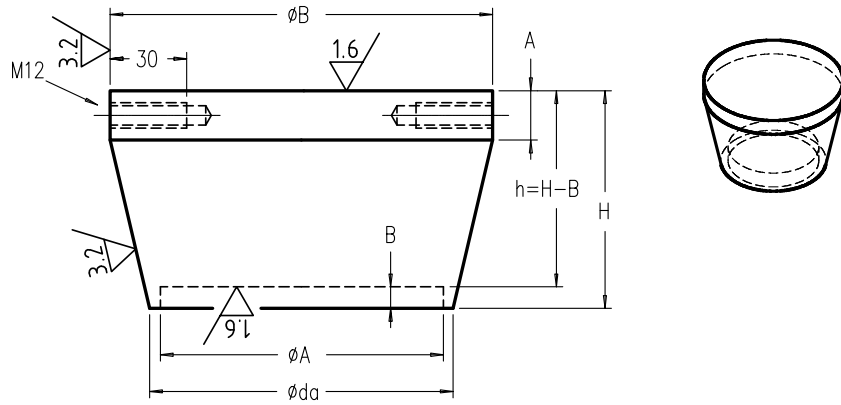


SUPOR > STANDARD DIMENSIONS



Ref. Item	Types	ØA	ØB	Øda	A	B	H	h	M12 L=30 (degree)	Weight (kg)
SUPOR-12	12	12	34	20	7	4	23	19	NO	0.12
SUPOR-20	20	20	49	30	8	5	31	26	NO	0.33
SUPOR-30	30	30	64	40	9	6	41	35	NO	0.74
SUPOR-36	36	36	69	46	10	7	46	39	NO	0.98
SUPOR-45	45	45	79	56	11	12	53	41	NO	1.5
SUPOR-56	56	56	79	66	12	8	48	40	NO	1.5
SUPOR-64	64	64	99	75	12	17	64	47	NO	2.8
SUPOR-64E	64E	64	114	75	12	17	75	58	NO	4.14
SUPOR-69	69	69	79	75	12	12	52	40	NO	1.6
SUPOR-90	90	90	129	100	15	17	79	62	NO	6
SUPOR-90B	90B	90	164	100	15	17	109	92	NO	12.2
SUPOR-110	110	110	195	135	20	19	109	90	2x to 180	18.7
SUPOR-125A	125A	125	158	135	20	19	94	75	2x to 180	11.3
SUPOR-125B	125B	125	195	135	20	19	109	90	2x to 180	18.3
SUPOR-160	160	160	248	±170	30	20	146	126	2x to 180	40
SUPOR-200A	200A	200	308	±210	30	20	175	155	2x to 180	73
SUPOR-200B	200B	200	353	±210	30	20	200	180	4x to 90	103
SUPOR-230	230	230	353	±270	50	35	211.5	176.5	4x to 90	125
SUPOR-250A	250A	250	438	±290	40	30	250	220	6x to 60	209
SUPOR-250B	250B	250	503	±290	40	30	285	255	6x to 60	294
SUPOR-300A	300A	330	594	±340	50	40	337	297	6x to 60	481
SUPOR-330A	330A	330	503	±370	50	50	301.5	251.5	6x to 60	341
SUPOR-360A	360A	360	694	±401	100	50	397	347	6x M24 / 360	818
SUPOR-400A	400A	400	594	±440	50	55	352	297	6x to 60	555
SUPOR-430A	430A	430	795	±470	±100	50	448	398	6x M30 / 360	1209

→ Other capacities and dimensions available on request

Dimensions in mm

Other views

