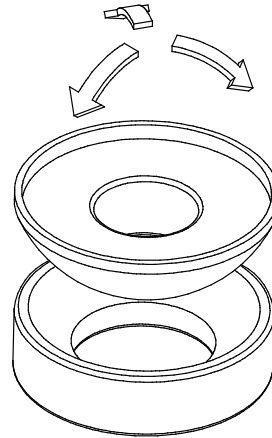
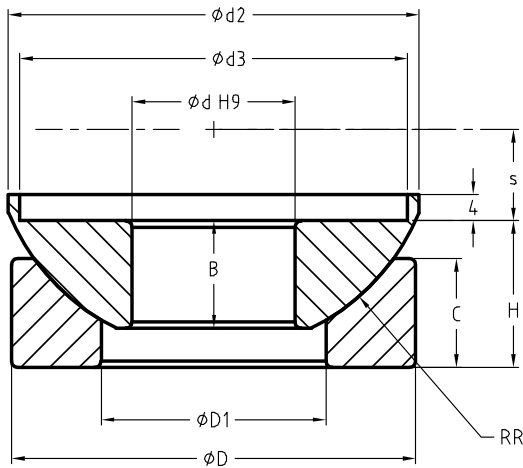


R5900 > STANDARD DIMENSIONS



Ref. Item*	Capacities		$\phi d$	$\phi D$	$\phi D1$	H	$\phi d2$	$\phi d3$	RR	B	C	s	Weight (kg)
	Force > 300 %**	Hoist > 500 %**											
R5900-A	3 - 30 kN	0.2 - 2 t	25	62	34.5	22.5	63	59.5	34	16.5	16.7	14	0.43
R5900-B	30 - 100 kN	3 - 7.5 t	35	90	50.5	28	84	79.5	49	22	20.7	22	1.2
R5900-C	100 - 150 (200) kN	10 - 15 t	80	180	107.5	50	172	119.5	98.5	43.5	38	42.5	8

\* Material: stainless steel  
 \*\*Breaking load (% full scale)

→ Other capacities and dimensions available on request

Dimensions in mm

Other views

