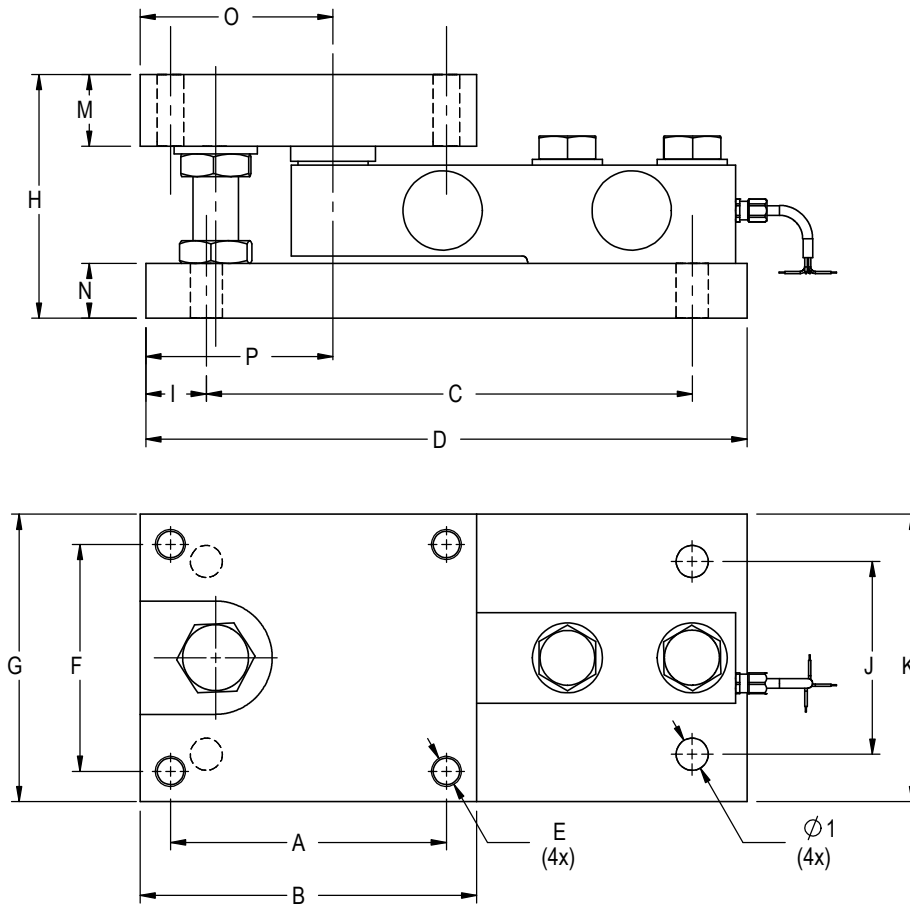


I3500-I3505 > STANDARD DIMENSIONS



Ref. Item*	Capacities	A	B	C	D	E	F	G	H	I	J	K	M	N	O	P	Ø 1
I350x-A	3 t	124	150	226	286	M10	102	112	102	32	80	112	28	23	99	96	13
I350x-B	5 - 7.5 t	146	178	257	318	M16	120	152	129	32	102	152	38	29	102	99	17
I350x-C	10 t	152	184	295	360	M20	122	154	166	32	106	154	44	44	108	105	21

\* Material : I3500 - stainless steel ; I3505 - alloy steel

→ Other capacities and dimensions available on request

Dimensions in mm

Other views

