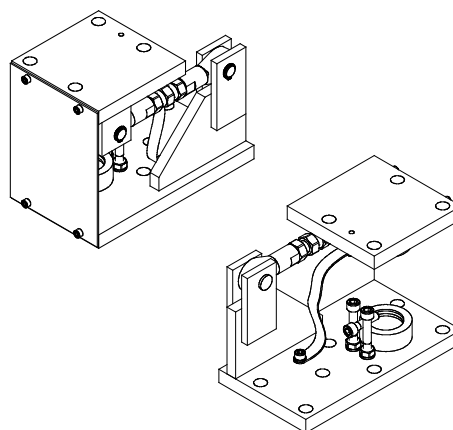
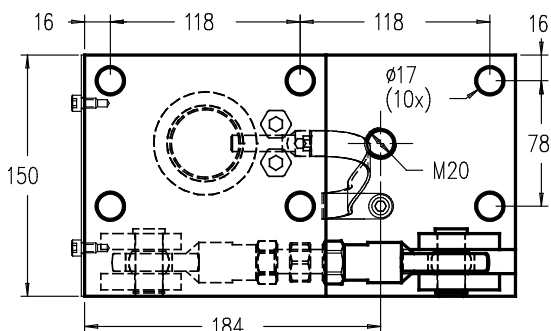
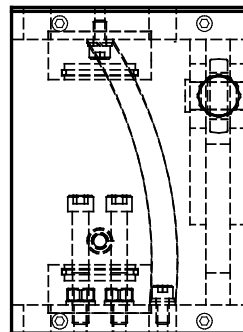
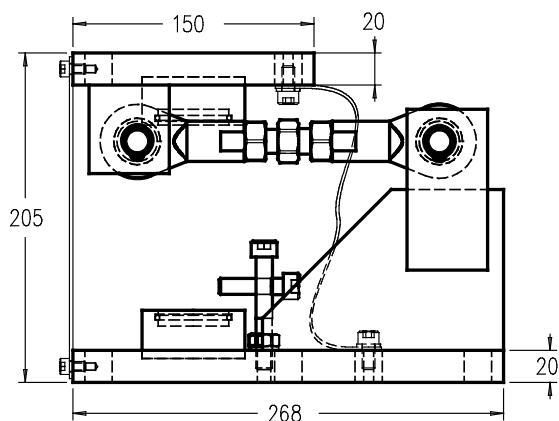


I3100P-I3105P > STANDARD DIMENSIONS

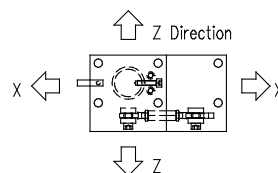
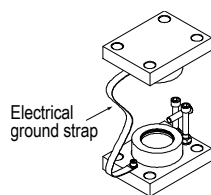
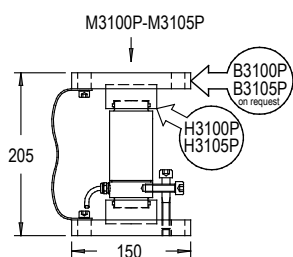


Ref. Item*	Capacities
I310xP-A	5 - 30 t
* x=Material: I3100P - stainless steel; I3105P - alloy steel	

→ Other capacities and dimensions available on request

Dimensions in mm

Other views



X Direction  
(MAX. 5200 kg STAT.  
2240 kg DYN.)

Stainless steel  
(MAX. 2100 kg STAT.  
800 kg DYN.)

