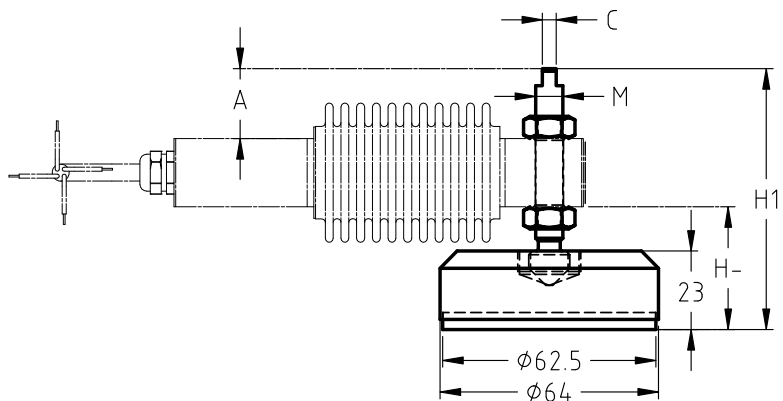
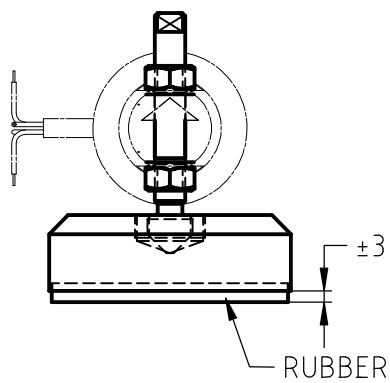
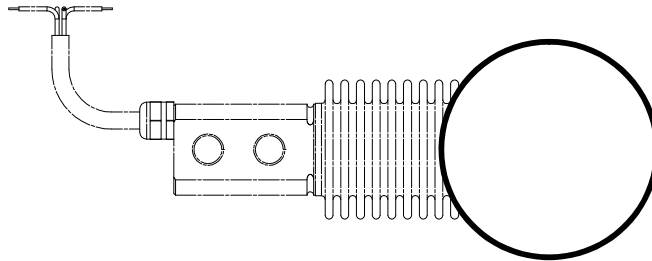
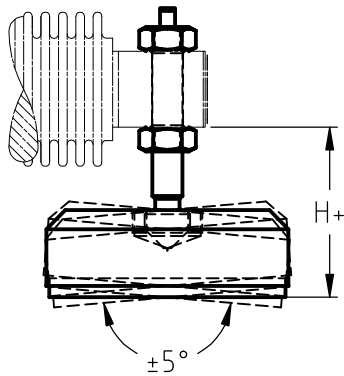


F2000S > STANDARD DIMENSIONS



Ref. Item*	Capacities	A	C	M	H-	H+	H1
F2000S-A	10 - 200 kg	20.5	4	8	36	45	76.5

* Material: stainless steel

→ Other capacities and dimensions available on request

Dimensions in mm

Other view

