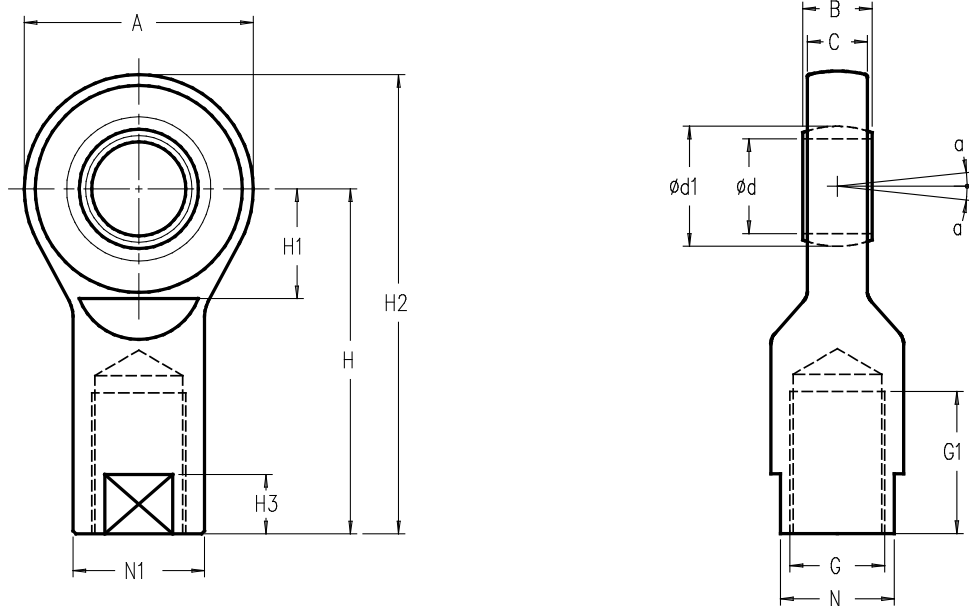


EMBOF > STANDARD DIMENSIONS



Ref. Item*	Dimension G	Capacities (N)		Ød	A	B	C	H	a (degree)	Ød1	G1	H1	H2	H3	N	N1	Weight (kg)
		Dynamic	Static														
EMBOF-M6-BA	M6	3600	9000	6	21	6	4.3	30	13	10	11	10.5	40.5	8	9	11	0.017
EMBOF-M8-BA	M8	5850	14600	8	24	8	6	36	15	13	15	12	48	10	11	13	0.034
EMBOF-M10-BA	M10	8560	21600	10	29	9	7	43	12	16	15	14	57.5	11	14	16	0.060
EMBOF-M12-BA	M12	11400	28500	12	34	10	8	50	10	18	18	17.5	67	12	17	19	0.095
EMBOF-M16-BA	M16	22400	52000	17	46	14	11	67	10	25	24	23	90	15	22	25	0.23
EMBOF-M24x2-BA	M24x2	51000	102000	25	64	20	17	94	7	35.5	36	32	126	18	30	35	0.62
EMBOF-M30x2-BA	M30x2	65500	134000	30	73	22	19	110	6	40.7	45	35	146.5	19	36	42	0.97
EMBOF-M36x3-PTFE	M36x3	112000	143000	35	82	25	21	125	6	47	60	42	166	15	50	47	1.4
EMBOF-M45x3-PTFE	M45x3	220000	280000	50	112	35	30	160	6	66	68	60	216	20	65	62	3.55
EMBOF-M56x4-PTFE	M56x4	440000	630000	70	160	49	42	200	6	92	80	84	280	20	85	80	8.3
EMBOF-M64x4-PTFE	M64x4	570000	780000	80	180	55	47	230	6	105	85	100	320	25	100	95	13

\* Material: BA - bronze auto-lubricated; PTFE - polytetrafluoroethylene

→ Other capacities and dimensions available on request

Dimensions in mm

Other view

