

WI-T24RE-BSx

WIRELESS RECEIVERS WITH DIGITAL OUTPUTS

WI-T24RE-BSU, -BSUE and -BSI are base stations designed to connect every transducer provided by a wireless transmitter (WI-T24TR-ACM-xA) to a PC or a PLC in order to achieve its configuration, calibration and data acquisition.



WI-T24RE-BSx



Features

- o Frequency: 2.4 GHz
- o Power: 10 mW
- o Licence: exemption
- o Range: up to 800 m open field
- o Antenna: integrated

Application(s)

SENSY's WI-T24RE-BSU, -BSUE and -BSI are perfectly designed for the following applications:

- Wireless transmission to a computer or a PLC of the signal emitted by a load cell or a torque transducer mounted on mobile equipment,
- Remote transmission of the load indicated on crane.

Function(s)

- Data logging and visualisation software available for PC (Windows®)

Specifications	WI-T24RE-BSU	WI-T24RE-BSUE	WI-T24RE-BSI	
Communication	USB	USB	USB, RS-232, RS-485	-
Service temperature range	-20...+55	-20...+55	-20...+55	°C
Storage temperature range	-40...+85	-40...+85	-40...+85	°C
Power supply	4.875...5.125 VDC (USB)	4.875...5.125 VDC (USB)	9...32 VDC	-
Consumption	-	-	100 mA @ 12 V	-
Dimensions	76 x 35 x 20	80 x 62 x 34	164 x 84 x 57	mm
IP rating	IP50	IP67	IP67	-
Humidity	0...95	0...95	0...95	% RH

Specifications subject to change without notice.

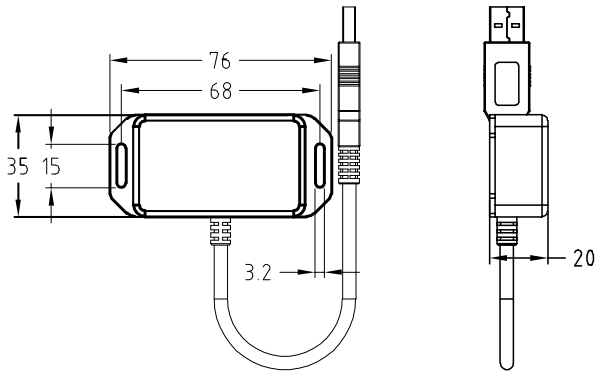


ISO 9001 certified

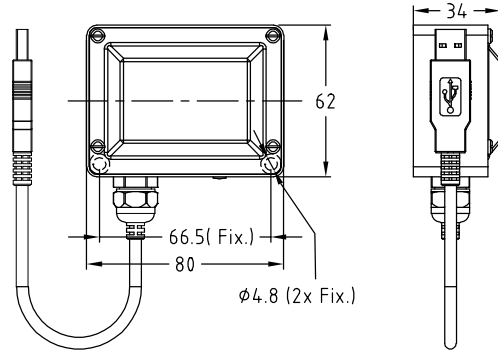
rev. : 19/03/2019

WI-T24RE-BSx > STANDARD DIMENSIONS

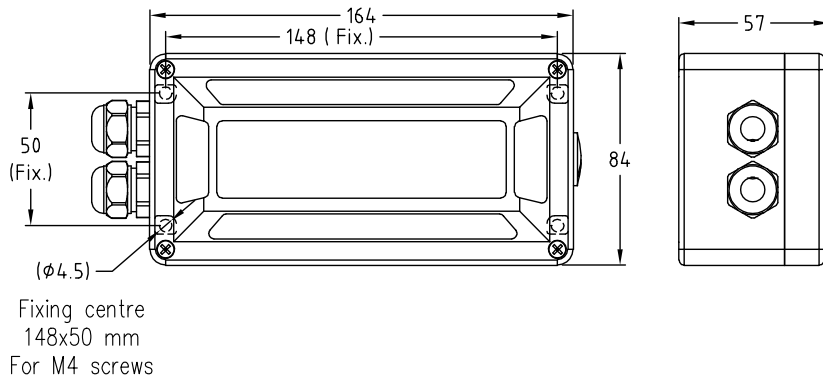
WI-T24RE-BSU



WI-T24RE-BSUE

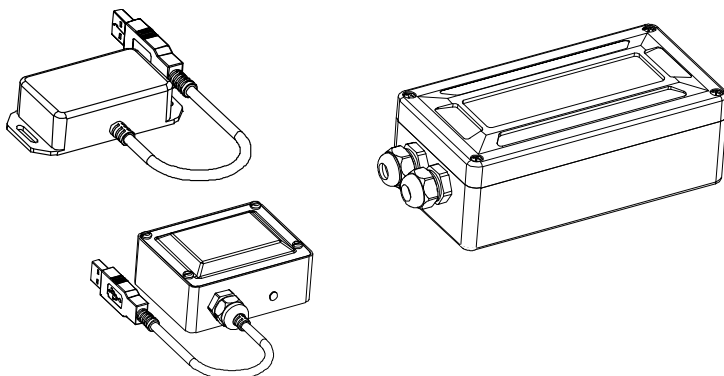


WI-T24RE-BSI



Dimensions in mm

Other views



Terminals

WI-T24RE-BSI

