

SPREADER-BOY CONTAINER WEIGHING SYSTEM

New generation of electronic data logging for weighing containers during handling. This one is designed to meet the new SOLAS requirement making it mandatory for containers to be weighed before they are loaded on board ships.



SPREADER-BOY



Features

- o 4 or 8 x 4-20 mA analogue inputs for force transducers
- o 4 digital inputs (start, stop and tare signal)
- o 2 output relay able to signal an alarm (audible, luminous warning signal, etc.)
- o Analogue outputs according to the measurements
- o Data recording on a CompactFlash memory card
- o Colour touch screen
- o Ethernet connection
- o RS-485 / PROFIBUS interface (option)

Application(s)

SENSY's SPREADER-BOY is perfectly designed for the following applications:

- Control of the forces exerted on each corner of the container in order to measure the weight and eccentricity of the load lifted. This system allows the user to:
- Detect any overload, loading which is too eccentric (container's imbalance), inadvertent locking or unlocking,
 - Transfer this information to any external management system,
 - Optimize the maintenance of lifting equipment.

Function(s)

- Real-time measurement of the signals provided by the force transducers (load pin, load cell, twist lock, etc.)
- Scaling and data recording
- Easy and user-friendly calibration
- Detection of a possible wire break
- Data recording for several years.

Specifications	SPREADER-BOY4	SPREADER-BOY8	
Type	Container Weighing Systems	Container Weighing Systems	-
Analog input	4 x 4...20 mA	8 x 4...20 mA	-
Digital input	4 **	4 **	-
Display	Touchscreen 5.7" colour	Touchscreen 5.7" colour	-
Accuracy	0.1	0.1	% F.S.*
A/D converter	20 ms	20 ms	-
Output signal	Analogue or digital	Analogue or digital	-
Internal memory	128 MB***	128 MB***	-
Service temperature range	0...+50****	0...+50****	°C
Storage temperature range	-20...+70	-20...+70	°C
Power supply	24 VDC / 100...240 VAC****	24VDC / 100..240VAC****	-
Qty of relay	2	2	-
Contact rating	5 A @ 240 VAC / 28 VDC	5 A @ 240 VAC / 28 VDC	-
IP rating	IP65	IP65	-

*F.S. : Full Scale.

** : potential-free contact.

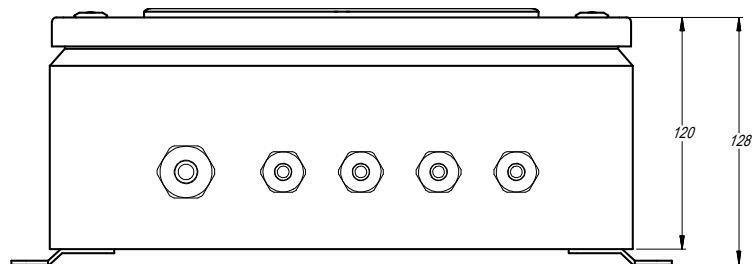
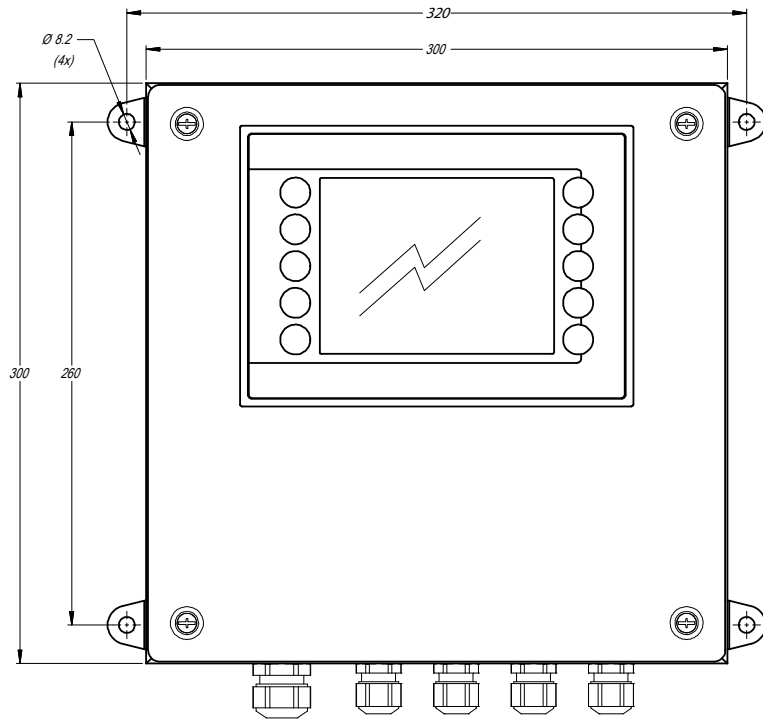
*** : compact flash.

**** : 48 VAC (option).

***** : other on request.

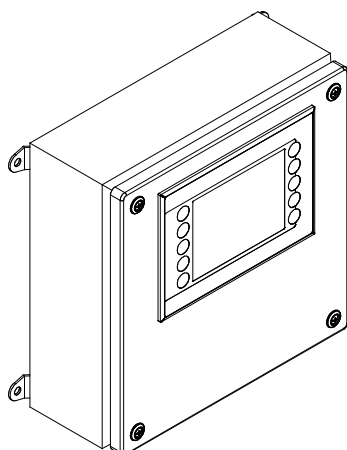
Specifications subject to change without notice.

SPREADER-BOY > STANDARD DIMENSIONS



Dimensions in mm

Other view



Terminals

