

INDI-PSD

HAND-HELD DISPLAYS FOR STRAIN-GAUGE-BASED TRANSDUCERS

The INDI-PSD are hand-held indicators for load cells, force transducers or torque meters based on strain-gauge technology.



INDI-PSD



Features

- o 7 digit LCD display
- o High resolution
- o Light (250 g)
- o Dual range
- o Large autonomy (450 h in power save mode)
- o TEDS enabled
- o RS-232 output (INDI-PSD232 only)

Available option(s)

- CASE-PSD: leather case with shoulder strap and clear viewing
- BATT-PSD: rechargeable batteries with charging unit (230 VAC)

Application(s)

SENSY's INDI-PSD are perfectly designed for the following applications:

- Force and torque measurement,
- Mobile weighing.

Function(s)

- Tare, hold, peak, through and shunt calibration functions by front keys
- Easy calibration by front keys
- Automatic calibration by TEDS

Specifications	INDI-PSD	INDI-PSD232	
Type	Strain-gauge hand-held indicator	Strain-gauge hand-held indicator	-
Input range	± 5 mV/V	± 5 mV/V	-
Sensor excitation	5 VDC (59 mA max.)***	5 VDC (59 mA max.)***	-
Non-linearity error	$<\pm 0.005$	$<\pm 0.005$	% F.S.*
Display	7 digits LCD (8.8 mm)	7 digits LCD (8.8 mm)	-
A/D converter	250 000 pts@1 Hz / 65 000 pts@10 Hz	250 000 pts@1 Hz / 65 000 pts@10 Hz	-
Communication	-	RS-232	-
Service temperature range	-10...+50	-10...+50	°C
Storage temperature range	-40...+65	-40...+65	°C
Temperature coefficient of the sensitivity	$<\pm 0.005$	$<\pm 0.005$	% F.S.*10°C
Temperature coefficient of zero signal	$<\pm 0.007$	$<\pm 0.007$	% F.S.*10°C
Power supply	2 x AA alkaline batteries**	2 x AA alkaline batteries**	-
IP rating	IP65	IP65	-

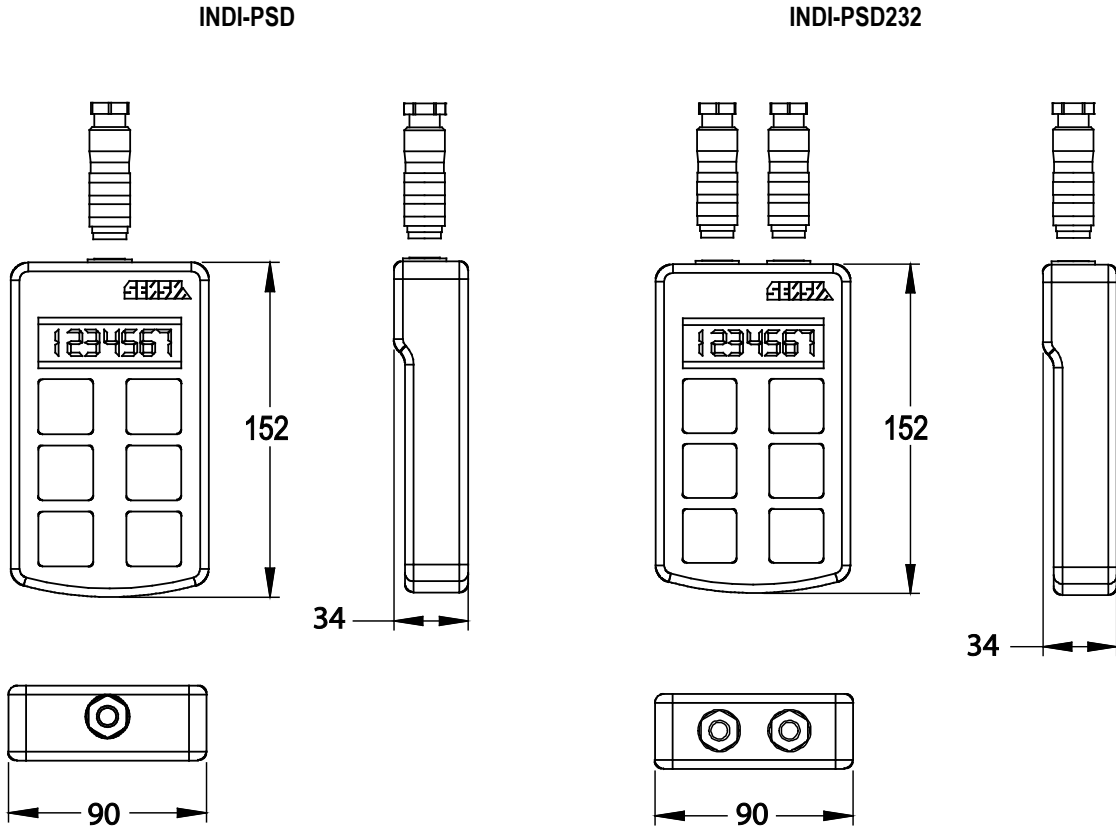
*F.S. : Full Scale.

** : Battery life : 35 h (450 h in low power mode) with transducer of 350 ohms.

*** : Transducer impedance of 85...5000 ohms.

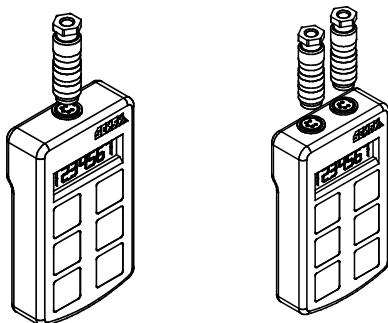
Specifications subject to change without notice.

INDI-PSD > STANDARD DIMENSIONS



Dimensions in mm

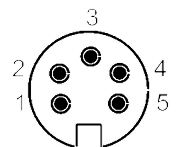
Other views



Terminals

Sensor connections
5 pin 723 series Binder connector

- Pin1 + Excitation
- Pin 2 - Excitation & TEDS Common
- Pin 3 + Signal
- Pin 4 - Signal
- Pin 5 TEDS



RS232 Port
8 pin 723 series Binder connector

- Pin1 Tx
- Pin 2 Rx
- Pin 3 Gnd

