

INDI-5250

WEIGHING INDICATOR

Very-high-accuracy digital indicator designed for weighing applications.



INDI-5250



Features

- o Approved for 10.000 d OIML
- o Up to 70 measurements per second
- o Alibi-memory for 10.000 records
- o Parallel connection of up to 10 strain-gauge load cells (350 ohms)
- o Display resolution up to 99.000 d
- o Bright, 6-digit, red LED display (14 mm)
- o Serial RS-232 port for connection to serial printer, computer or remote display
- o Desktop or industrial housing
- o 1 digital input (programmable as tilt input or to tare scale remotely or others)
- o 2 digital outputs (programmable as weight set-points or as other control outputs)

Available option(s)

- analogue output 4(0)...20 mA or 0.02...10 V

Application(s)

SENSY's INDI-5250 is perfectly designed for the following applications:

- Legal for trade weighing,
- Accurate industrial weighing.

Function(s)

- Zero, tare, tare recall, print, total
- Automatic zero tracking, no motion detection

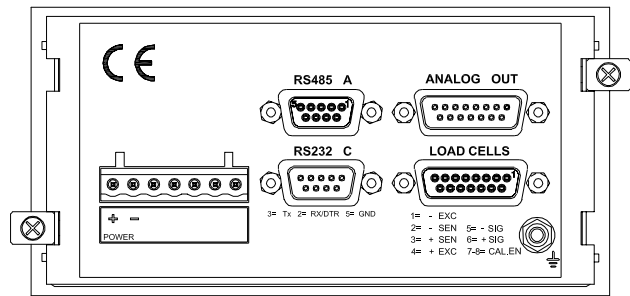
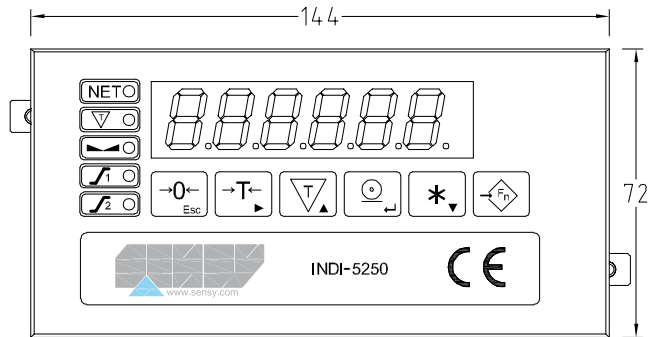
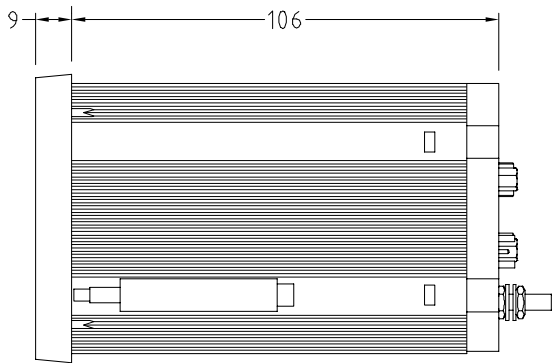
Specifications	INDI-5250	
Type	Strain-gauge input (mV/V)	-
Accuracy class	10 000 d OIML	-
Input range	1...4 mV/V	-
Sensor excitation	±5 VDC switched polarity or +5 VDC, with sense	-
Non-linearity error	≤ 0.01	% F.S.*
Display	6 digits	-
Internal resolution	550 000 div.	-
Service temperature range	-10...+40	°C
Storage temperature range	-10...+70	°C
Temperature coefficient of the sensitivity	< 0.02	% F.S./10°C
Temperature coefficient of zero signal	< 0.02	% F.S./10°C
Power supply	9...15 VDC (adapter 230 VAC included)	-
IP rating	IP40 (IP54**)	-

*F.S. : Full Scale.

** : front panel only.

Specifications subject to change without notice.

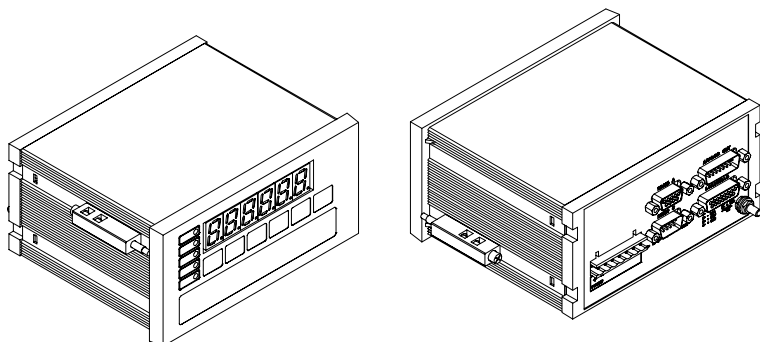
INDI-5250 > STANDARD DIMENSIONS



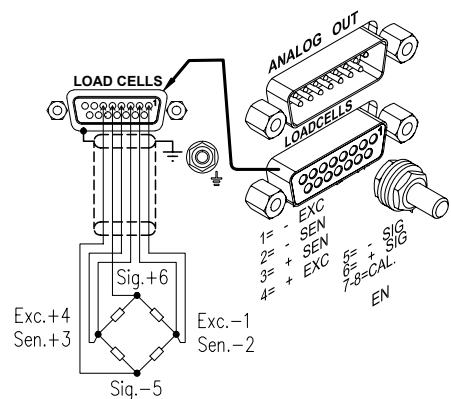
Note: panel cut-out 136.5 mm (-0+0.8) 66.5 mm (-0+0.5)

Dimensions in mm

Other views



Terminals



Note: If used with a 4 wires load cell, you must shunt pins 1-2 and pins 3-4.