

INDI-12390

LOAD CELL INDICATOR FOR TESTING MACHINE CONTROL

Standard reference indicator specially designed to display the 4 signals generated by the 3115F-12390 load cell. It is designed for the control of concrete testing machines according to EN12390-4 and DIN 51302-2 standards.



INDI-12390



Features

- Compliant with EN 12390-4 and DIN 51302-2 standards
- 4 independent displays
- Resolution: 5 digits
- Robust industrial housing
- Digital output: RS-485

Available option(s)

o analogue output: 0...10 V or 4...20 mA

Application(s)

SENSY's INDI-12390 is perfectly designed for the following application:

- Control of testing machines for the compressive strength of hardened concrete measurement according to EN 12390-4 and DIN 51302-2.

Function(s)

- Peak memories

Specifications	INDI-12390	
Type	4 x strain-gauge input	-
Input range	4 x ± 24 mVDC / 4 x ± 240 mVDC	-
Combined error (non-linearity + hysteresis)	< 0.1	% F.S.*
Sensor excitation	4 x 10 VDC	-
Display	4 x 5 digits (14.2 mm)	-
A/D converter	16 bits	-
Converter rate	20/s	-
Service temperature range	0...+50	°C
Storage temperature range	-40...+60	°C
Power supply	85...250 VAC (60 VA)	-

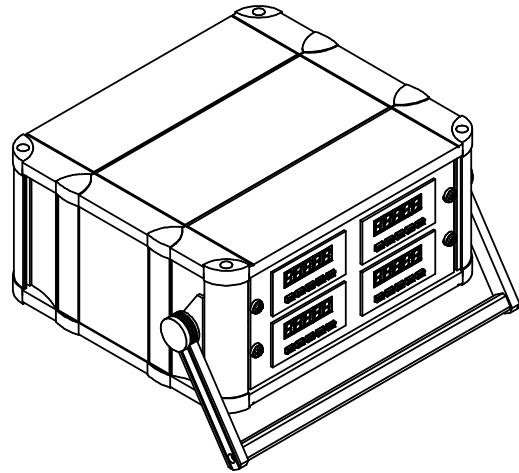
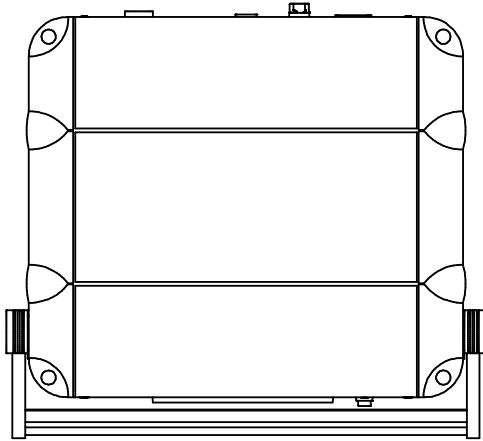
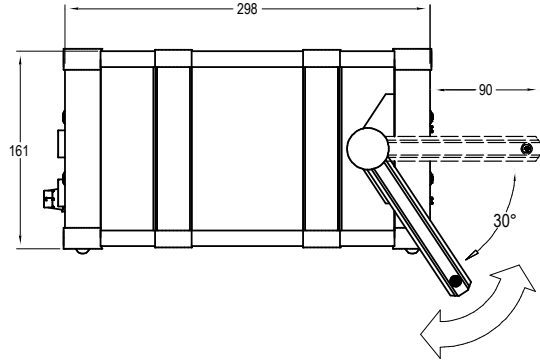
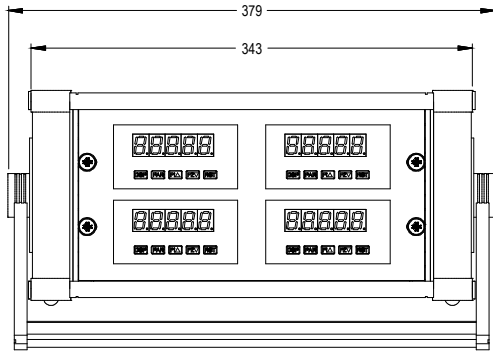
*F.S. : Full Scale.

Specifications subject to change without notice.



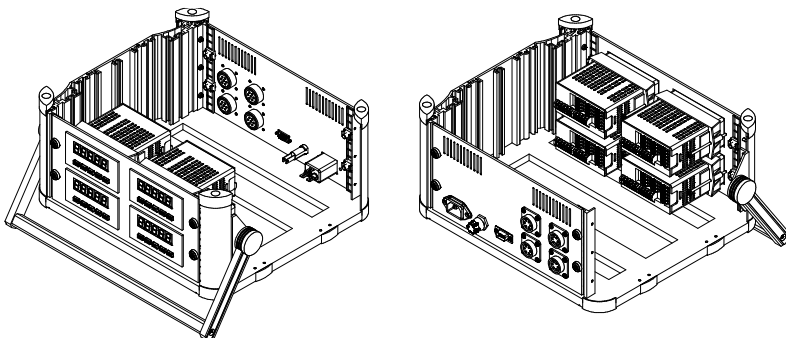
ISO 9001 certified

INDI-12390 > STANDARD DIMENSIONS



Dimensions in mm

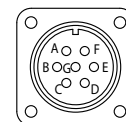
Other views



Terminals

STANDARD AMPHENOL MS 3102 A 16S-1S

(FEMALE ON CASE)



- A Sig. +Green (Vert)
- B Extc. - Yellow(Jaune)
- C Extc. Brown (Brun)
- D Sig. - White (Blanc)
- E Cable screen (Faradisation)
- F Sense + Pink (Rose)
- G Sense - Grey (Gris)

LOAD CELL INPUT

MALE CONNECTOR ON CABLE MS 3106A 16S-1P

