

# INDI-00

## DISPLAY FOR STANDARD REFERENCE FORCE TRANSDUCERS

The INDI-00 is a high-accuracy portable indicator designed to be used in combination with standard reference force transducers with accuracy classes 1, 0,5 and 00\*\*\* according to ISO 376 standard.



INDI-00



### Features

- o High accuracy: 0.01%
- o 6-wire connection
- o RS-232 output

### Available option(s)

- acquisition and management software
- working with rechargeable battery (charger included)

### Application(s)

SENSY's INDI-00 is perfectly designed for the following application:

Calibration of test equipment and load cells / force transducers.

### Function(s)

- Tension, compression switch
- Calibration resistance switch

Specifications	INDI-00	
Type	Strain-gauge input (mV/V)	-
Accuracy class	Classes 1, 05 and 00 compatible	-
Input range	-0.25...2 / -0.25...4 mV/V	-
Sensor excitation	+5 VDC switched polarity or + 5 VDC with "sense"	-
Non-linearity error	<= 0.01	% F.S.*
Display	6 digits	-
Internal resolution	550 000 div.	-
Service temperature range	-10...+40	°C
Storage temperature range	-10...+70	°C
Temperature coefficient of the sensitivity	< 0.02	% F.S./10°C
Temperature coefficient of zero signal	< 0.02	% F.S./10°C
Power supply	230 VAC**	-
Weight	6.7	kg

\*F.S. : Full Scale.

\*\* : internal rechargeable battery (option).

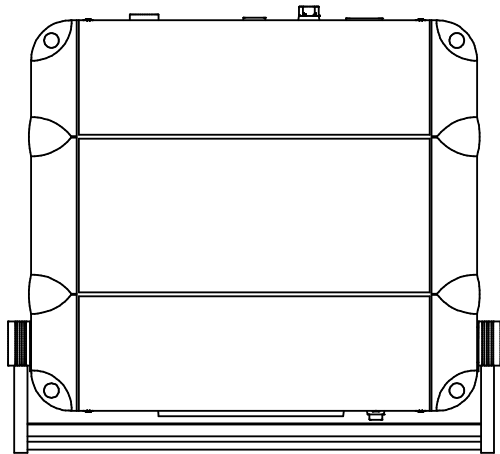
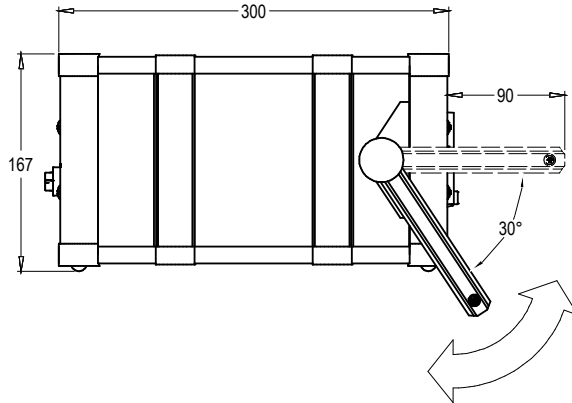
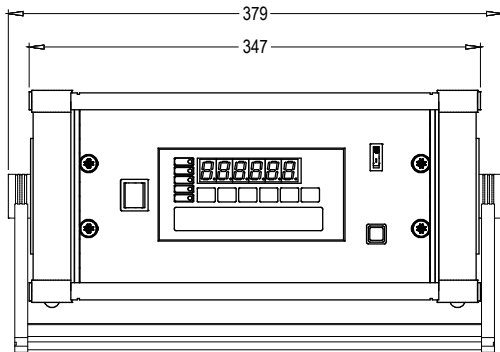
\*\*\* : with a calibration in mV/V or on request.

Specifications subject to change without notice..



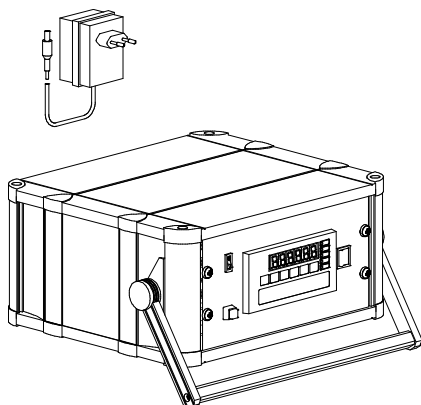
ISO 9001 certified

INDI-00 > STANDARD DIMENSIONS



Dimensions in mm

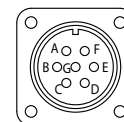
Other view



Terminals

STANDARD AMPHENOL MS 3102 A 16S-1S

( FEMALE ON CASE )



- A Sig. +Green ( Vert )
- B Ext. - Yellow( Jaune )
- C Ext. Brown ( Brun )
- D Sig. - White ( Blanc )
- E Cable screen ( Faradisation )
- F Sense + Pink ( Rose )
- G Sense - Grey ( Gris )

LOAD CELL INPUT

MALE CONNECTOR ON CABLE MS 3106A 16S-1P

