

DISP-RLT

DISPLAY FOR RUNNING LINE TENSIO METERS

3-channel display specially designed to work in combination with SENSY running line tensiometers 5570, 5575, 5580 and 5585 for winches and running cables in order to display the tensile load, the speed and the pay-out.



DISP-RLT



Features

- o Inputs:
 - force transducer
 - payout sensor
- o Digital displays and bar graphs:
 - force
 - speed
 - payout
- o Data transmission

Available option(s)

- data logging (download by USB stick or Ethernet network)
- communication output RS-232, RS-485
- analogue output 4 (0)...20 mA or 0...10 V
- relay output 2 or 4 FORM-C (5 A, 230 VAC resistive load)
- power supply: 110 & 230 VAC (50 – 60 Hz)

Application(s)

SENSY's DISP-RLT is perfectly designed for the following applications:

- Tension / payout / speed display and logging.

Function(s)

- Reset (tare)
- Peak and through memories
- Filter
- Power calculation (force * speed) (option)
- Possibility to add other functions (option)

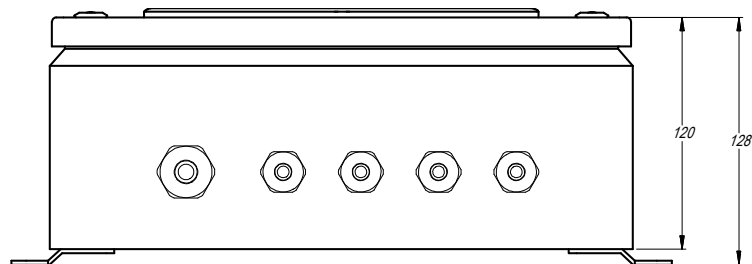
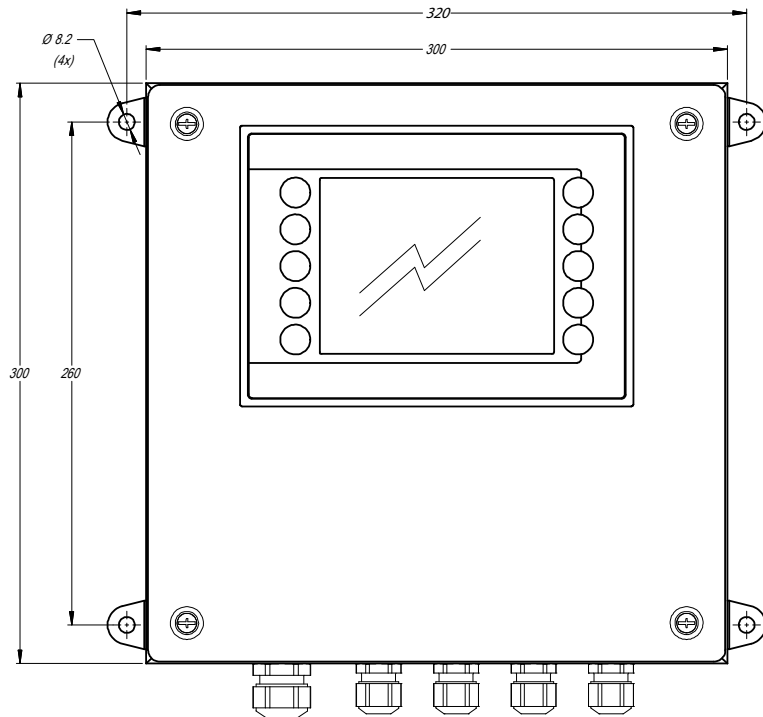
Specifications	DISP-RLT	
Input force signal	4...20 mA**	-
Input payout signal	Absolute encoder SSI**	-
Display	Touchscreen 5.7" color	-
Accuracy	0.1	% F.S.*
A/D converter	20 ms	-
Service temperature range	0...+50	°C
Storage temperature range	-20...+70	°C
Power supply	24 VDC +/- 20 %	-
Dimensions	300 x 300 x 120	mm
IP rating	IP65	-

*F.S. : Full Scale.

** : powered 24 VDC.

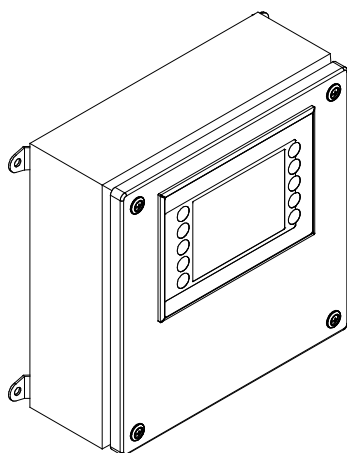
Specifications subject to change without notice.

DISP-RLT > STANDARD DIMENSIONS



Dimensions in mm

Other view



Terminals

