

## CRANE-BOY-Exd CRANE-BOYP-Exd

## CRANE OVERLOAD PROTECTION ELECTRONICS (explosion-proof)

CRANE-BOY-Exd and CRANE-BOYP-Exd are CRANE-BOY mounted in an explosion-proof housing to be used in an hazardous area. They are equipped and standardised with Zener barriers in order to be connected to an Ex i certified load cell.



CRANE-BOY-Exd (Ex II G Ex d IIB T6)



### Features

- o Certified for IIB group (also available for IIC group)
- o Easy and intuitive calibration
- o Display of hoisted load and input signal
- o Internal monitoring system of load cell integrity and load limitation electronics (fail safe)
- o Also available without Zener barrier for using with Ex d certified load pins: CRANE-BOY-Exd-5050

### Available option(s)

- Analogue output 4 (0)...20 mA or 0...10 V
- RS-232, RS-485, fieldbus capabilities

**Application(s)** SENSY's CRANE-BOY-Exd CRANE-BOYP-Exd are perfectly designed for the following applications:

Overload protection and slack rope detection in hazardous area on overhead cranes, container cranes, gantry cranes, BOP cranes.

### Function(s)

- Internal survey system of the load cell and the electronics (fail safe)
- Test button to check the correct working of the detection system
- Secret code prohibiting programming by unauthorised users
- Intelligent filter with quick reaction to overload while not reacting to transitory non-significant overload
- Maximum and minimum memories

Specifications	CRANE-BOY-Exd	CRANE-BOY12-Exd	CRANE-BOYP-Exd	CRANE-BOYP12-Exd	
Type	Load limiter for single load cell	Load limiter for single load cell	Load limiter for single 4...20 mA load cell	Load limiter for single 4...20 mA load cell	-
Input range	± 24 mVDC / ± 240 mVDC	± 24 mVDC / ± 240 mVDC	20 mA (-2 to +26 mA)	20 mA (-2 to +26 mA)	-
Sensor excitation	10 VDC @ 125 mA max**	10 VDC @ 125 mA max**	24 VDC ± 5 % @ 50 mA max.	24 VDC ± 5 % @ 50 mA max.	-
Display	5 digits (14.2 mm)	5 digits (14.2 mm)	5 digits (14.2 mm)	5 digits (14.2 mm)	-
Accuracy	0.1	0.1	0.1	0.1	% F.S.*
A/D converter	16 bits	16 bits	16 bits	16 bits	-
Converter rate	Up to 20 readings /s	Up to 20 readings /s	Up to 20 readings /s	Up to 20 readings /s	-
Service temperature range	0...+50	0...+50	0...+50	0...+50	°C
Storage temperature range	-40...+60	-40...+60	-40...+60	-40...+60	°C
Power supply	85...250 VAC, 50/60 Hz (15 VA)	11...36 VDC (11 W), 24 VAC (15 VA)***	85...250 VAC, 50/60 Hz (15 VA)	11...36 VDC (11 W), 24 VAC (15 VA)***	-
Qty of relay	3	3	3	3	-
Relay type	"Form A"- potential free	"Form A"- potential free	"Form A"- potential free	"Form A"- potential free	-
Contact rating	3 A @ 250 VAC / 30 VDC	3 A @ 250 VAC / 30 VDC	3 A @ 250 VAC / 30 VDC	3 A @ 250 VAC / 30 VDC	-
IP rating	IP65	IP65	IP65	IP65	-

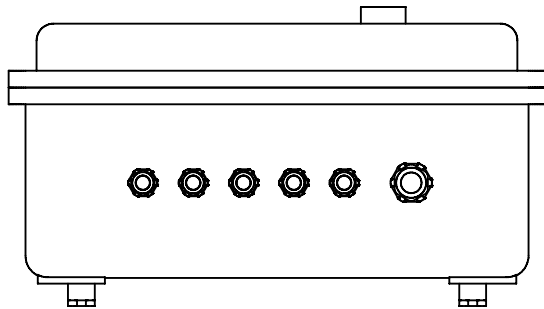
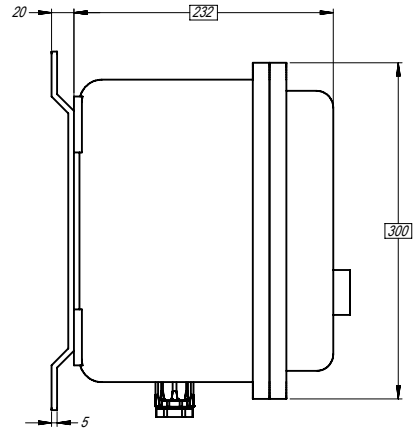
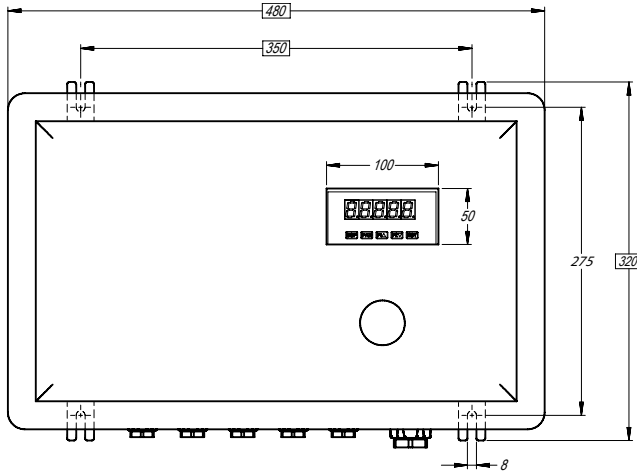
\*F.S. : Full Scale.

\*\* : 5 VDC @ 65 mA max (jumper selectable).

\*\*\* : we recommend the CRANE-BOY2-Exd and CRANE-BOYP2-Exd for use in 24 VDC.

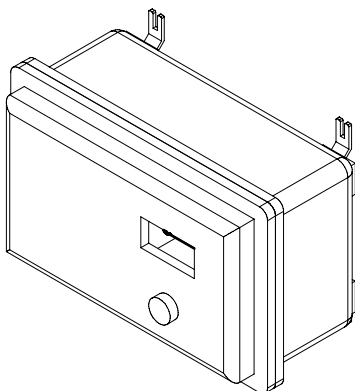
Specifications subject to change without notice.

CRANE-BOY-Exd / CRANE-BOYP-Exd > STANDARD DIMENSIONS

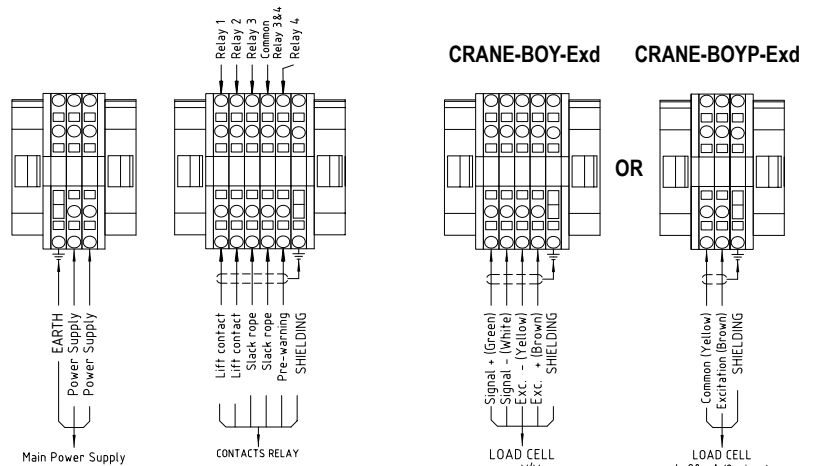


Dimensions in mm

Other view



Terminals



CRANE-BOY-Exd CRANE-BOYP-Exd

OR

