

67000

## NON-CONTACT ROTARY TORQUE SENSORS

General purpose, non-contact rotary torque sensors with flanges or PTO shaft.



Model 67000 3 kN·m



### Features

- o Bidirectional
- o Measurement range up to 5 kN·m
- o Rotating speed up to 3600 rpm
- o Integrated signal conditioning
- o Analogue output signal (see Wiring table)
- o Cable length: 5 m (other lengths available on request)
- o Torque limit 5000 N·m

### Most popular options



**IP65**  
Not for Angle Sensor



### Application(s)

SENSY's torque sensors 67000 are perfectly designed for the following applications:

- Torque measurement on machines for agriculture or forestry,
- Torque measurement on test benches, production lines and rotating machines.

### Capacities

67000: 3 - 5 kN·m

Specifications	67000	
Combined error (non-linearity + hysteresis)	<± 0.5	% F.S.*
Repeatability error	<± 0.05	% F.S.*
Rotational signal uniformity	<± 0.5	% F.S.*
Compensated temperature range	+15...+35	°C
Service temperature range	-40...+85	°C
Storage temperature range	-40...+85	°C
Temperature coefficient of the sensitivity	< 0.5	% F.S./10°C
Temperature coefficient of zero signal	< 0.5	% F.S./10°C
Nominal sensitivity	± 4**	V
Zero signal	5	V
Power supply	9...28 VDC	-
Consumption (max.)	100	mA
Start-up current	< 150	mA
IP rating	IP50	-

\* F.S. : Full Scale.

\*\* : see individual calibration sheet

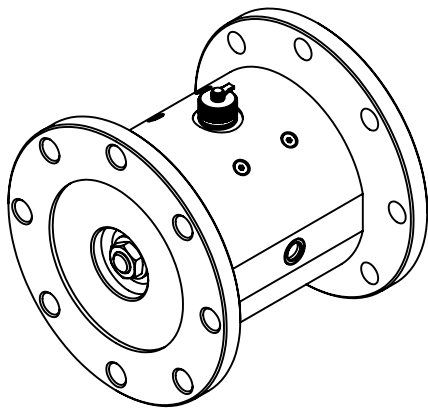
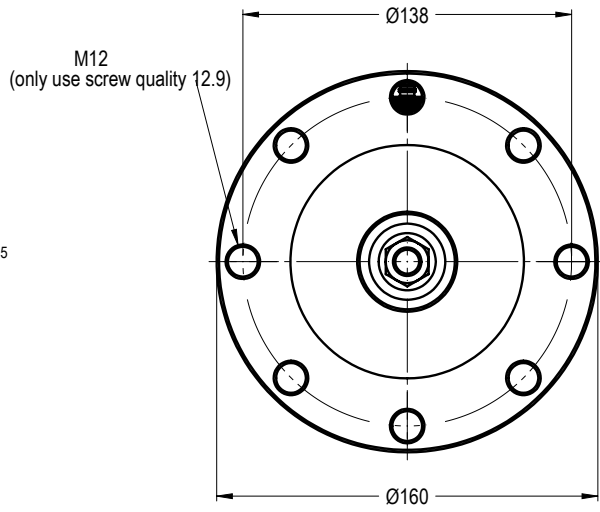
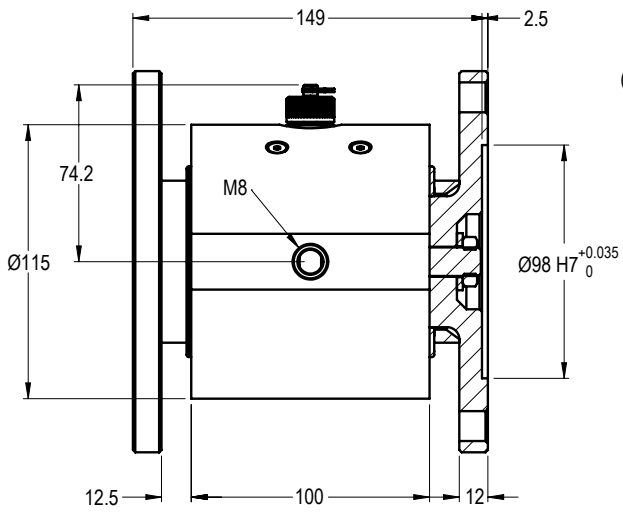
Specification subject to change without notice



ISO 9001 certified

rev. : 13/07/2020

67000 > STANDARD DIMENSIONS

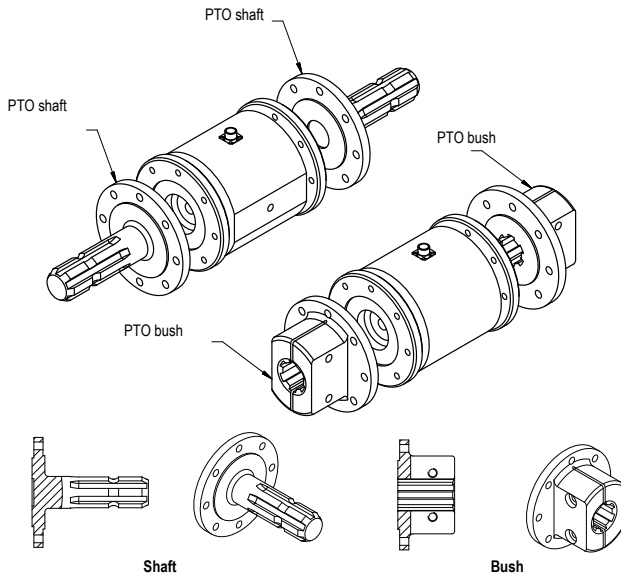


Ref. Item	Capacities	PTO shaft and bush	
		Shaft	Bush
67000-A	3 kN·m	PTO shaft 6 teeth (1 3/8") ≤ 2.5 kN·m	≤ 5 kN·m
67000-B	3 - 5 kN·m	PTO shaft 6 teeth (1 3/4") ≤ 4.5 kN·m	≤ 5 kN·m
67000-C	3 kN·m	PTO shaft 21 teeth (1 3/8") ≤ 3 kN·m	≤ 5 kN·m
67000-D	3 - 5 kN·m	PTO shaft 20 teeth (1 3/4") ≤ 5 kN·m	≤ 5 kN·m

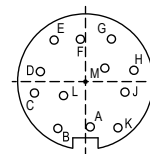
Other capacities and dimensions available on request

Dimensions in mm

Accessories



Wiring



Pin	Colour	Description	Value
A	White	CAN / USB	H / D-
B	Brown	CAN / USB	L / D+
C	Green	Optional - Angle Channel A	0...5 V
D	Yellow	Optional - Angle Channel B	0...5 V
E	Grey	Analogue GND	-
F	Pink	Analogue voltage	0...10 V
G	Blue	Analogue current	4...20 mA
H	Red	Ground GND	-
J	Black	Supply Voltage Vcc	9...28 V
K	Black	USB GND	-
L	Grey-Pink	USB	5 V
M	Red-Blue	-	-

Load direction

