

65000

HIGH-CAPACITY NON-CONTACT ROTARY TORQUE SENSORS

General purpose, high capacity non-contact rotary torque sensors.



Model 65000 - 10 kN·m



Features

- o Bidirectional
- o Measurement range up to 25 kN·m (>25 kN·m on request)
- o Rotating speed up to 8000 rpm
- o Integrated signal conditioning
- o Analogue output signal (see Wiring table)
- o Cable length: 5 m

Most popular options



Application(s) The SENSY's torque sensors 65000 are perfectly designed to the following applications:

- Torque measurement on test benches, production lines and rotating machines.

Capacities

65000: 10 - 15 - 20 - 25 kN·m

Specifications	65000-A	65000-B	
Capacities	10 - 15 kN·m	20 - 25 kN·m	-
Combined error (non-linearity + hysteresis)	<± 0.5	<± 0.5	% F.S.*
Repeatability error	<± 0.1	<± 0.1	% F.S.*
Rotational signal uniformity	<± 0.5	<± 0.5	% F.S.*
Compensated temperature range	+15...+35	+15...+35	°C
Service temperature range	-40...+85	-40...+85	°C
Storage temperature range	-40...+85	-40...+85	°C
Temperature coefficient of the sensitivity	< 0.5	< 0.5	% F.S./10°C
Temperature coefficient of zero signal	< 0.5	< 0.5	% F.S./10°C
Nominal sensitivity	± 4**	± 4**	V
Zero signal	5	5	V
Power supply	9...28 VDC	9...28 VDC	-
Consumption (max.)	40	40	mA
Start-up current	< 100	< 100	mA
Maximum rotational speed	8000	5000	rpm
Torque limit	20	30	kN·m
IP rating	IP50	IP50	-

*F.S. : Full Scale.

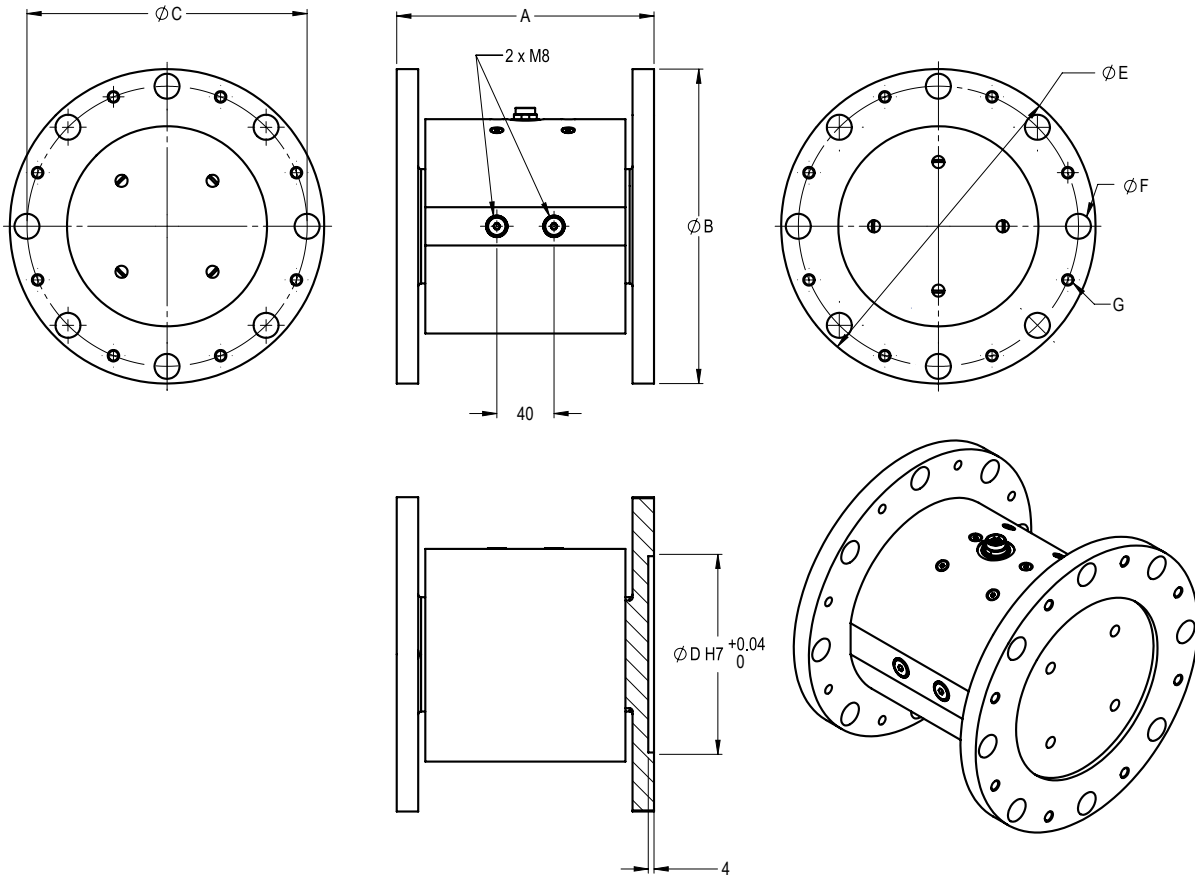
** : See individual calibration sheet.

Specification subject to change without notice.



ISO 9001 certified

65000 > STANDARD DIMENSIONS

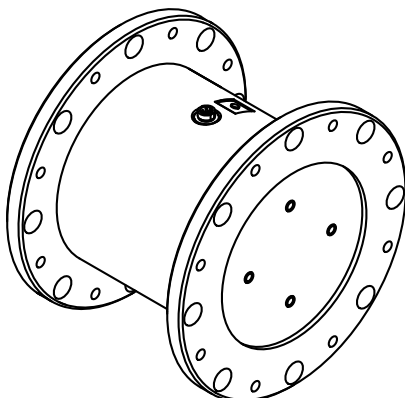


Ref. Item	Capacities	Dimensions								Screw	Tightening torque (N·m)
		A	$\varnothing B$	$\varnothing C$	$\varnothing D$	$\varnothing E$	F	G			
65000-A	10 - 15 kN·m	170	150	196	140	220	17	-	8 x M16, 10.9	145	
65000-B	20 - 25 kN·m	200	190	288	174	326	19	M8	16 x M18, 10.9	500	

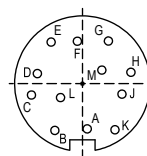
→ Other capacities and dimensions available on request

Dimensions in mm

Other view



Wiring



Pin	Colour	Description	Value
A	White	CAN / USB	H / D-
B	Brown	CAN / USB	L / D+
C	Green	Angle Channel A	0...5 V
D	Yellow	Angle Channel B	0...5 V
E	Grey	Analogue GND	-
F	Pink	Analogue voltage	0...10 V
G	Blue	Analogue current	4...20 mA
H	Red	Ground GND	-
J	Black	Supply voltage Vcc	9...28 V
K	Black	USB GND	-
L	Grey-Pink	USB	5 V
M	Red-Blue	-	-

Load direction

