

Non-rotating torque meters designed to be placed between ratchet and wrench.



Model 6305 - 2000 N·m



Features

- o Wide range of capacities: from 50 N·m to 20 kN·m
- o Easy to install (standardised wrenches)
- o Compact design
- o Protection class: IP54
- o Material: alloy steel
- o Cable length: 3 m (other lengths available on request)

Most popular options



Application(s)

SENSY's torque meters 6305 are perfectly designed for the following applications:

- Tightening torque control on torque wrenches,
- Tightening torque control on machines.

Capacities

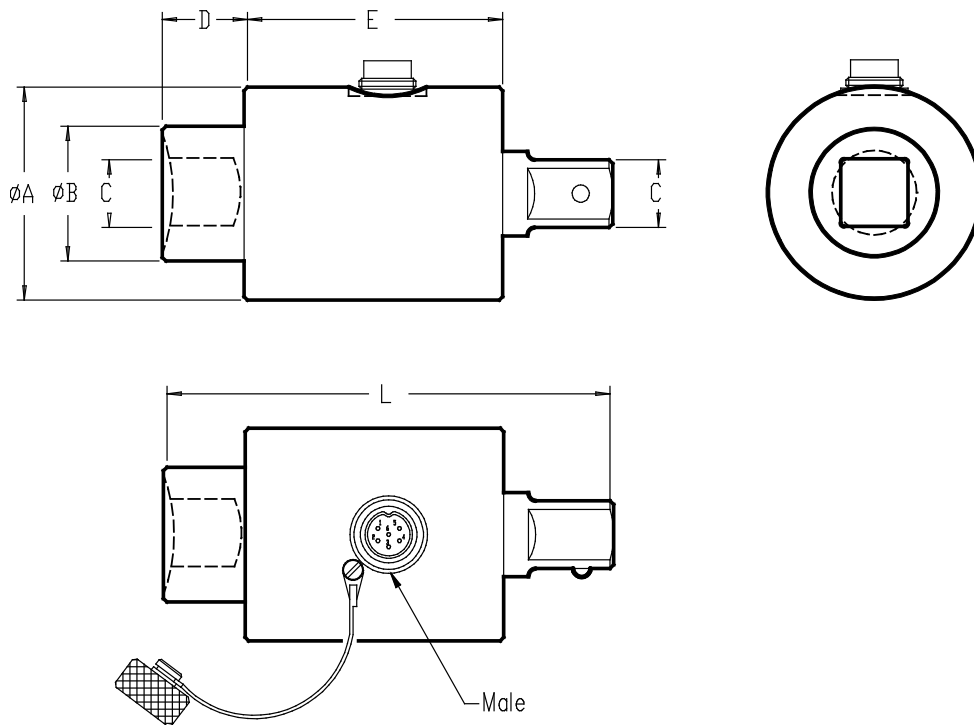
6305: 50 - 100 - 300 - 750 - 1000 - 2000 - (2500) - (5000) - (10 000) - (20 000) N·m

Specifications	0.25 %	
Combined error (non-linearity + hysteresis)	<± 0.25	% F.S.*
Repeatability error	<± 0.1	% F.S.*
Creep error over 30 min.	<± 0.1	% F.S.*
Zero shift after loading	<± 0.025	% F.S.*
Reference temperature	23	°C
Compensated temperature range	-10...+45	°C
Service temperature range	-25...+70	°C
Storage temperature range	-50...+85	°C
Temperature coefficient of the sensitivity	<± 0.05	% F.S.* / 10°C
Temperature coefficient of zero signal	<± 0.035	% F.S.* / 10°C
Zero balance	± 0.02	mVV
Nominal sensitivity	1.5	mVV
Sensitivity tolerance	<± 0.3	%
Input resistance	350 ± 2	ohm(s)
Output resistance	350 ± 2	ohm(s)
Insulation resistance (50 V)	> 5000	Mohm(s)
Reference excitation voltage	10	VDC
Permissible nominal range of excitation voltage	3...12	VDC
Safe load limit	120	% F.S.*
Breaking load	>300	% F.S.*
Permissible dynamic loading	40	% F.S.*
Static lateral force limit	10	% F.S.*

* F.S. : Full Scale.

Specifications subject to change without notice.

6305 > STANDARD DIMENSIONS

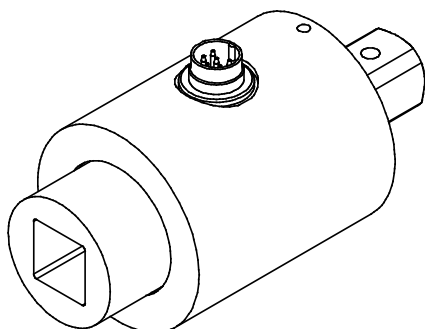


Ref. Item	Capacities	$\varnothing A$	$\varnothing B$	C (inch)	D	E	L		
							(mm)	(inch)	
6305-A	50 N·m	45	17.6	3/8"	10	47.5	75	2.95"	
6305-B	100 N·m	50	25	1/2"	16.5	73	127	5"	
6305-C	300 N·m	60	38	3/4"	22	73	127	5"	
6305-D	750 N·m	70	54	1"	30	82	155	6.1"	
6305-E	1 - 2 kN·m	85	69	1 1/2"	38	95	185	7.3"	
-	2.5 - 20 kN·m	According to customer design specifications							

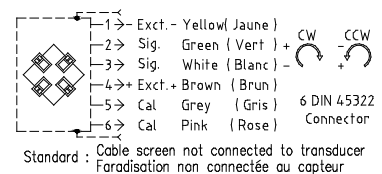
→ Other capacities and dimensions available on request

Dimensions in mm

Other view



Wiring



Load direction

