

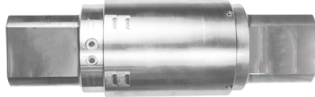
## 6300V-6305V

## HIGH-RANGE REACTION TORQUE METERS

High-range reaction torque transducers with square ends.



Model 6305V - 1.1 MN·m



### Features

- o Wide range of capacities: from 20 kN·m to 1.1 MN·m
- o Protection class: IP67
- o Material:
  - 6300V: stainless steel
  - 6305V: alloy steel
- o Cable length: 3 m (other lengths available on request)

### Most popular options



### Application(s)

SENSY's torque meters 6300V-6305V are perfectly designed for the following applications:

- Tightening torque control on machines,
- Calibration of hydraulic torque wrenches / Iron roughneck, running casing tool calibration.

### Capacities

6300V: 20 - 110 - 250 - (300) - (500) - (1100) kN·m

6305V: (20) - (110) - (250) - (300) - (500) - (1100) kN·m

Specifications	0.5 %	
Combined error (non-linearity + hysteresis)	< ± 0.5	% F.S.*
Repeatability error	< ± 0.25	% F.S.*
Creep error over 30 min.	< ± 0.2	% F.S.*
Reference temperature	23	°C
Compensated temperature range	-10...+45	°C
Service temperature range	-25...+70	°C
Storage temperature range	-50...+85	°C
Temperature coefficient of the sensitivity	< ± 0.1	% F.S.* / 10°C
Temperature coefficient of zero signal	< ± 0.1	% F.S.* / 10°C
Zero balance	± 0.02	mV/V
Nominal sensitivity	1.5	mV/V
Sensitivity tolerance	< ± 0.5	%
Input resistance	350±2 or 700±2	ohm(s)
Output resistance	350±2 or 700±2	ohm(s)
Insulation resistance (50 V)	> 5000	Mohm(s)
Reference excitation voltage	10	VDC
Permissible nominal range of excitation voltage	3...12	VDC
Safe load limit	150	% F.S.*
Breaking load	> 300	% F.S.*
Permissible dynamic loading	40	% F.S.*

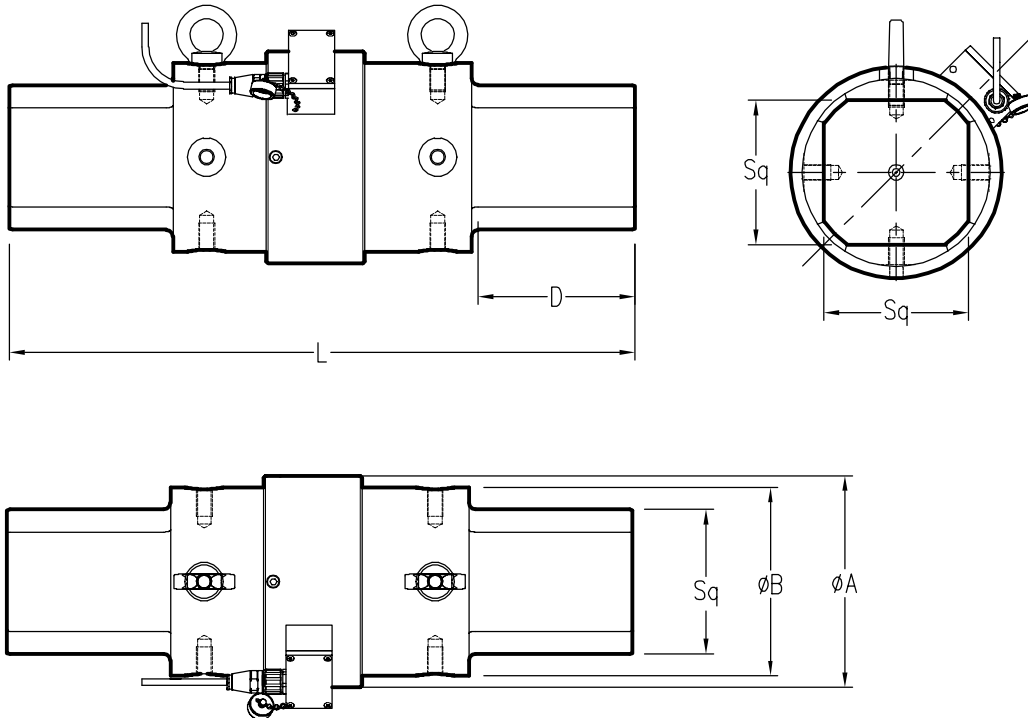
\* F.S. : Full Scale.

Specifications subject to change without notice.



ISO 9001 certified

6300V-6305V > STANDARD DIMENSIONS



Ref. Item*	Capacities	ØA	ØB	D	L	Sq	Weight (kg)
630xV-A	20 kN·m	136	116	126	530	70	35
630xV-B	110 kN·m	220	196	163	650	150	140
630xV-C	250 kN·m	314	286	195	1000	200	440
-	300 kN·m - 1.1 MN·m	According to customer's design specifications					

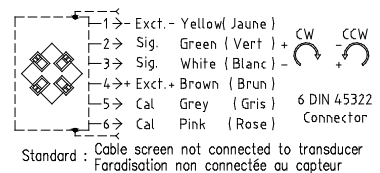
\*x=Material: 6300V - stainless steel; 6305V - alloy steel

→ Other capacities and dimensions available on request

Dimensions in mm

Other views

Wiring



Load direction

