

5910

LOW-PROFILE COMPRESSION LOAD CELL

Load cell combining high capacity with low design.



Model 5910 - 2 t



Features

- o Material: stainless steel
- o Protection class: IP67
- o Low design
- o Cost-effective solution
- o Sturdy design
- o Easy to install
- o Cable length: 3 m (other lengths available on request)

Most popular options



Ex i



-50°C...+150°C

IP68

Application(s) SENSY's load cell 5910 is perfectly designed for the following applications:

- Manufacturing of portable wheel scales,
- Industrial force applications where space is limited,
- Silos, tanks, hoppers or reactors weighing.

Capacities

5910: (0.3) - 0.5 - (0.75) - 1 - (1.5) - 2 - 3 - 5 t

Specifications	0.25 %	0.1 %	
Accuracy class	0.25 % F.S.*	0.1% F.S.*	-
Combined error (non-linearity + hysteresis)	<± 0.25	< ± 0.1	% F.S.*
Repeatability error	<± 0.1	<± 0.03	% F.S.*
Creep error over 30 min.	<± 0.1	<± 0.06	% F.S.*
Reference temperature	23	23	°C
Compensated temperature range	-10...+45	-10...+45	°C
Service temperature range	-25...+70	-25...+70	°C
Storage temperature range	-50...+85	-50...+85	°C
Temperature coefficient of the sensitivity	<± 0.05	<± 0.05	% F.S.* / 10°C
Temperature coefficient of zero signal	<± 0.035	<± 0.035	% F.S.* / 10°C
Nominal sensitivity	1.5	1.5	V
Sensitivity tolerance	<± 0.3	<± 0.3	%
Input resistance	700 ± 2	700 ± 2	ohm(s)
Output resistance	700 ± 2	700 ± 2	ohm(s)
Insulation resistance (50 V)	> 5000	> 5000	Mohm(s)
Reference excitation voltage	10	10	VDC
Permissible nominal range of excitation voltage	3...12	3...12	VDC
Safe load limit	150	150	% F.S.*
Breaking load	>300	>300	% F.S.*
Permissible dynamic loading	40	40	% F.S.*
Static lateral force limit	10	10	% F.S.*

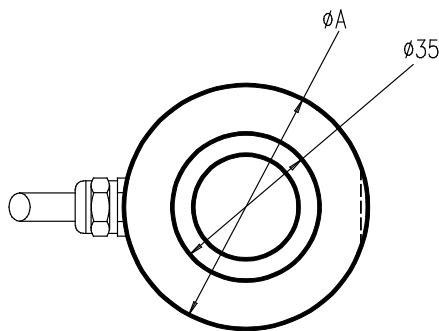
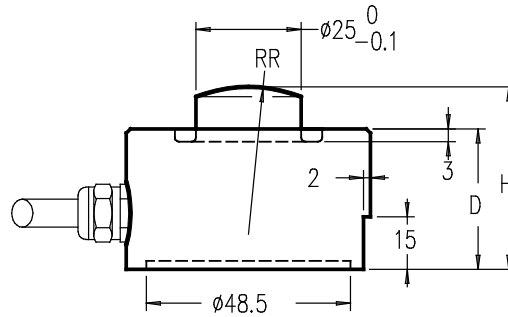
* F.S.: Full Scale.

Specifications subject to change without notice.



ISO 9001 certified

5910 > STANDARD DIMENSIONS

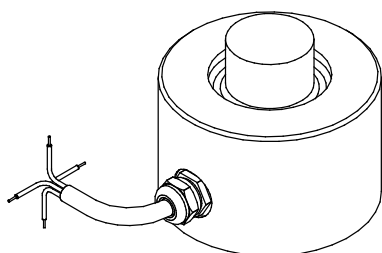


Ref. Item	Capacities	ØA	D	H	RR	CL (m)	Max. Deflexion (mm)	Weight (kg)
5910-A	0.3 - 5 t	59	30	40	35	3	0.04 - 0.07	±0.6

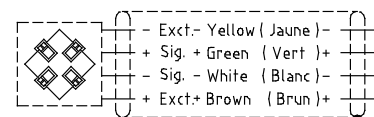
→ Other capacities and dimensions available on request

Dimensions in mm

Other view



Wiring



Standard : Cable screen not connected to transducer
Faradisation non connectée au capteur

Load direction

