

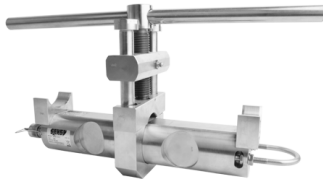
5560S-5562S

STATIC LINE TENSIO METERS

Load cells specially designed to measure the tension force applied to a static wire rope or rope fiber.



Model 5560S - 30 t



Features

- o Easy and fast mounting
- o Protection class: IP67
- o Wide range of cable diameters: from 3 up to 90 mm (0.11 to 3.5")
- o Material:
 - stainless steel (5560S)
 - anodised aluminium alloy (5562S)
- o Cable length: 6 m (other lengths available on request)

Most popular options



Ex i



-50°C...+150°C

IP68

Application(s)

SENSY's load cells 5560S-5562S are perfectly designed for the following applications:

- Hook-load sensor for drilling, mud-logging, ...
- Tension measurement of wire ropes, ropes, shrouds and riggings of electric pylons, transmission antenna, towers, flare masts, barge mooring lines, ...
- Tension measurement for suspended bridges and foot-bridges, big tops, ...

Capacities

5560S-5562S: 2 to 75 t on cable

Specifications	2 - 5 %	
Reference temperature	23	°C
Compensated temperature range	-10...+45	°C
Service temperature range	-30...+70	°C
Storage temperature range	-50...+85	°C
Temperature coefficient of the sensitivity	<± 0.1	% F.S./10°C
Temperature coefficient of zero signal	<± 0.1	% F.S./10°C
Nominal sensitivity	± 1 **	mV/V
Input resistance	350 ± 2	ohm(s)
Output resistance	350 ± 2	ohm(s)
Insulation resistance (50 V)	> 5000	Mohm(s)
Reference excitation voltage	10	VDC
Permissible nominal range of excitation voltage	3...12	VDC
Safe load limit	200	% F.S.*
Breaking load	>300	% F.S.*
Permissible dynamic loading	70	% F.S.*

* F.S. : Full Scale.

** : can be different (depending on the wire rope)

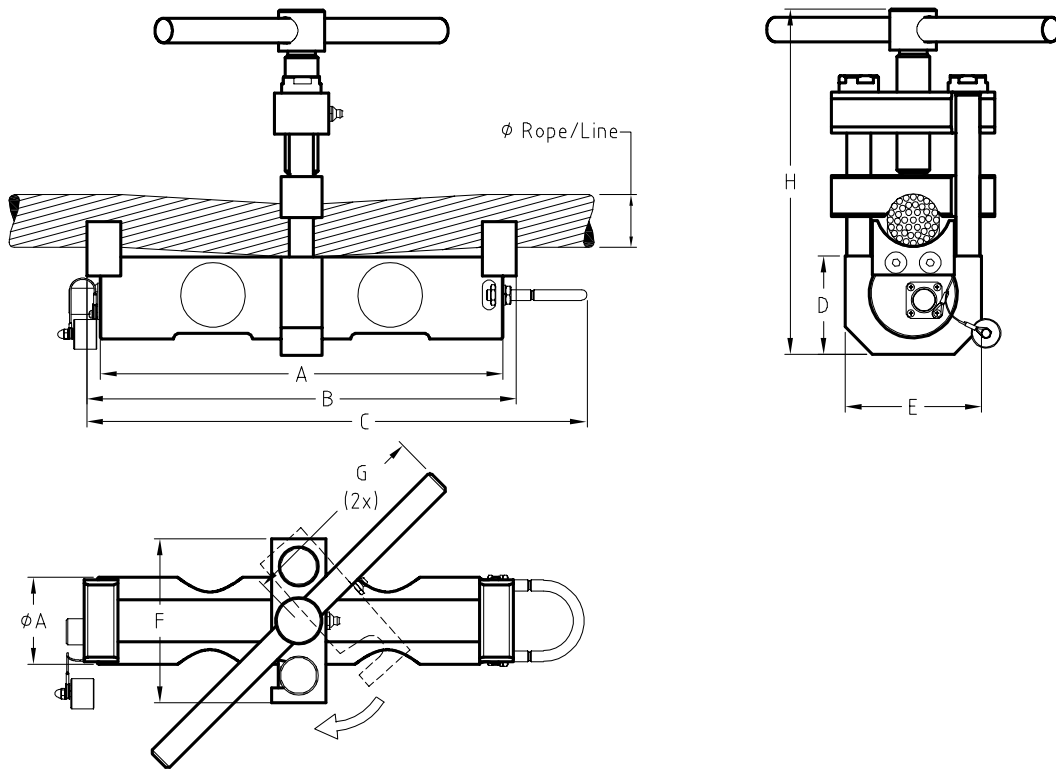
Combined error depends on rope material and on-site calibration

Specifications subject to change without notice



ISO 9001 certified

5560S-5562S > STANDARD DIMENSIONS



Ref. Item*	Capacities	ØRope/Line	ØA	A	B	C	D	E	F	G	H (Min)	H (Max)	Weight (kg)
5562S-A	2 - 4 t	Min 6 - Max 12	39	214	220	-	<49	<49	50	162	118	130	± 2
5560S-B	5 t	Min 12 - Max 20	64	295	315	367	72	100	120	217	224	264	±10.4
5560S-C	7.5 t	Min 18 - Max 26	64	295	315	367	72	100	120	217	224	264	±10.4
5560S-D	10 t	Min 8 - Max 20	64	295	315	367	72	100	120	217	224	264	±10.4
5560S-E	15 - 20 t	Min 22 - Max 50.8	64	295	315	367	72	100	120	217	224	264	±11
5560S-F	30 t	Min 22 - Max 50.8	64	295	315	367	72	100	120	217	224	284	±11
5560S-G	45 t	Min 22 - Max 50.8	64	295	315	367	72	100	120	217	224	284	±11
5560S-H	75 t	Min 38 - Max 58	74	405	415	472	89	150	147	324.5	296	365	±26

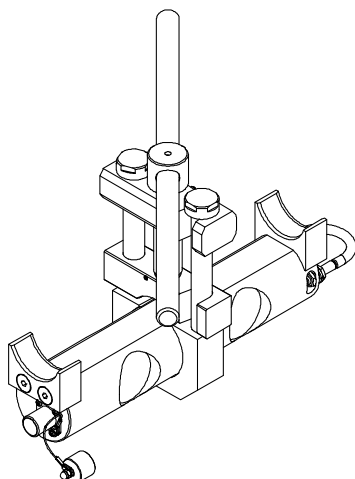
*x=Material: 5560S - stainless steel; 5562S - aluminium

Configurator: www.sensy.com/static-running-line-tensiometer/5560S-5562S

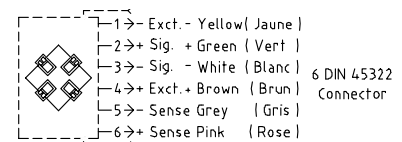
→ Other capacities and dimensions available on request

Dimensions in mm

Other view



Wiring



Standard : Cable screen not connected to transducer
Faradisation non connectée au capteur

Load direction

