

5510

SHEAR BEAM LOAD CELL

Universal load cell combining sturdy design, high accuracy and low cost.



Model 5510 - 1 t



Features

- o Material: stainless steel
- o Protection class: IP67
- o Sturdy design
- o Complies with OIML / R60 up to 3000 d for scales in class III (EN 45501)
- o Mounting kits available with following properties:
 - stabilisation without tension rods
 - compensation for thermal dilatations and default of parallelism
- o Cable length: 8 m (other lengths available on request)

Most popular options



Ex i



Application(s)

SENSY's load cell 5510 is perfectly designed for the following applications:

- Low-profile scales, pallets, platform scales,
- Packaging, batching and filling machines,
- Reactors, tanks, vessels or hoppers weighing.

Capacities

5510: 0.5 - (0.75) - 1 - 1.5 - 2 t

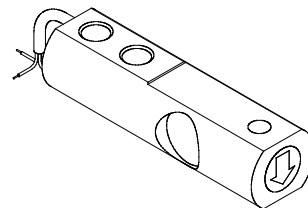
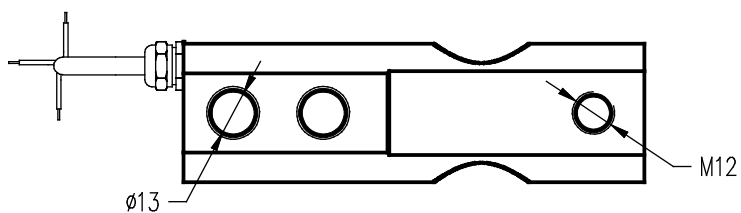
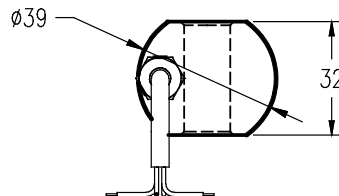
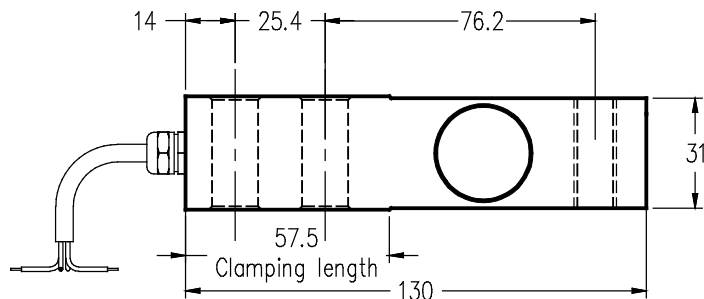
Specifications	A3	0.03 %	C 3	
Accuracy class	0.03 %** F.S.*	0.03% F.S.*	3000 d OIML	-
Combined error (non-linearity + hysteresis)	<± 0.03	<± 0.03	<± 0.02	% F.S.*
Repeatability error	<± 0.015	<± 0.015	<± 0.01	% F.S.*
Creep error over 30 min.	<± 0.03	<± 0.025	<± 0.02	% F.S.*
Reference temperature	23	23	23	°C
Compensated temperature range	-10...+45	-10...+45	-10...+45	°C
Service temperature range	-30...+70	-30...+70	-30...+70	°C
Storage temperature range	-50...+85	-50...+85	-50...+85	°C
Temperature coefficient of the sensitivity	<± 0.05	<± 0.015	<± 0.009	% F.S./10°C
Temperature coefficient of zero signal	<± 0.05	<± 0.023	<± 0.013	% F.S./10°C
Nominal sensitivity	2	2	2	mVV
Sensitivity tolerance	<± 0.2	<± 0.2	<± 0.1	%
Input resistance	350 ± 2	350 ± 2	350 ± 2	ohm(s)
Output resistance	350 ± 2	350 ± 2	350 ± 2	ohm(s)
Insulation resistance (50 V)	> 5000	> 5000	> 5000	Mohm(s)
Reference excitation voltage	10	10	10	VDC
Permissible nominal range of excitation voltage	3..12	3..12	3..12	VDC
Safe load limit	150	150	150	% F.S.*
Breaking load	>300	>300	>300	% F.S.*
Permissible dynamic loading	50	50	50	% F.S.*
Static lateral force limit	100	100	100	% F.S.*

* F.S. : Full Scale.

** : except thermal drifts

Specifications subject to change without notice.

5510 > STANDARD DIMENSIONS

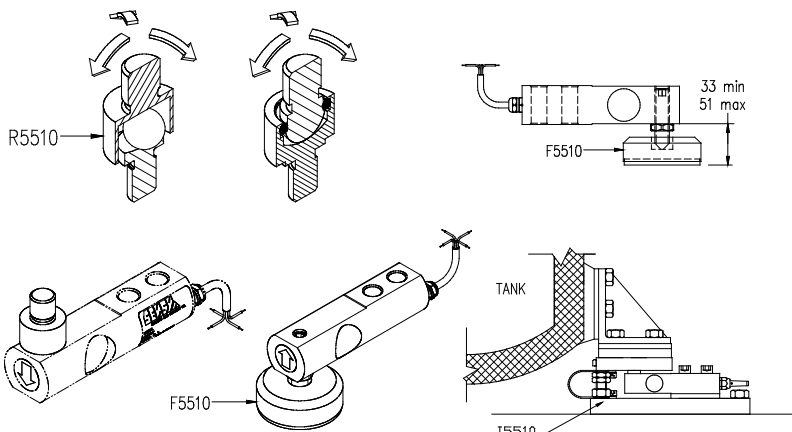


Ref. Item	Capacities	Weight (kg)
5510-A	0.5 - 2 t	0.95

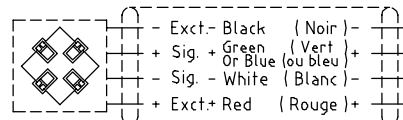
Other capacities and dimensions available on request

Dimensions in mm

Accessories

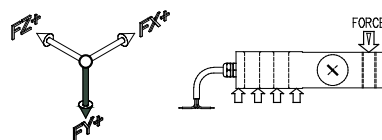


Wiring

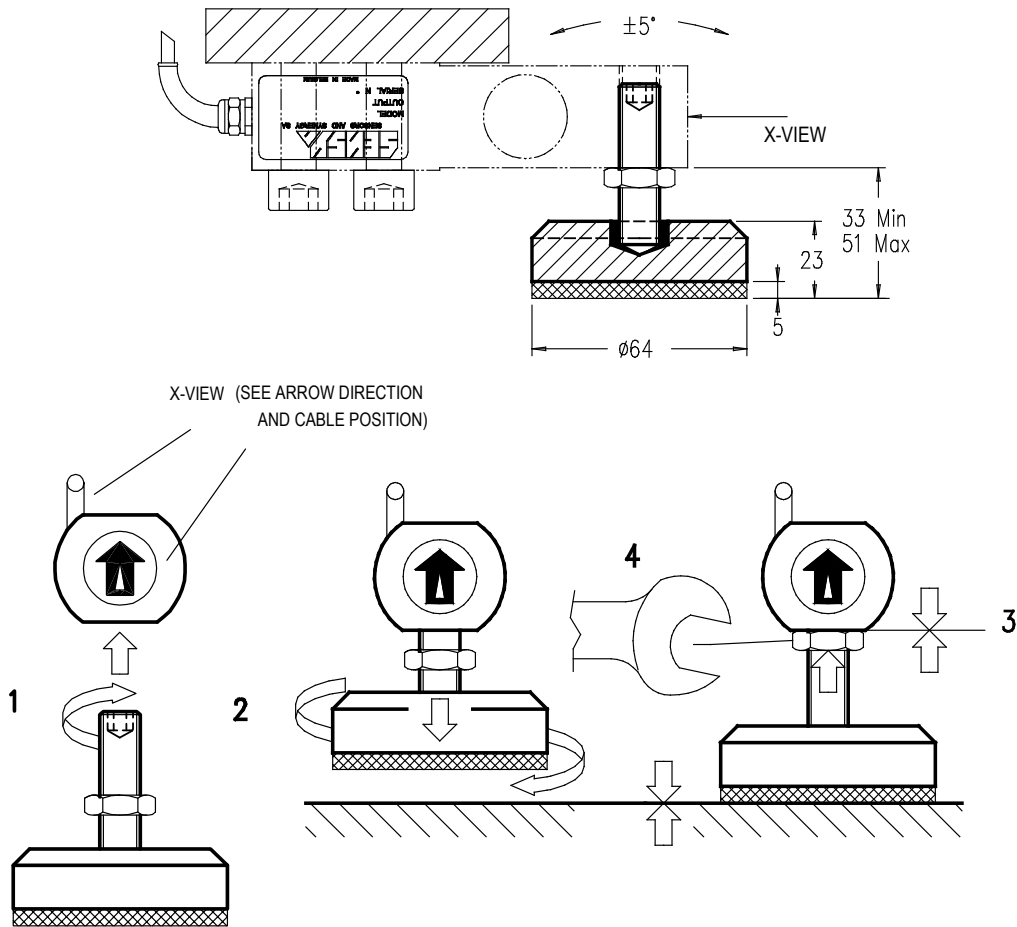


Standard : Cable screen not connected to transducer
Faradisation non connectée au capteur

Load direction



F5510 > STANDARD DIMENSIONS

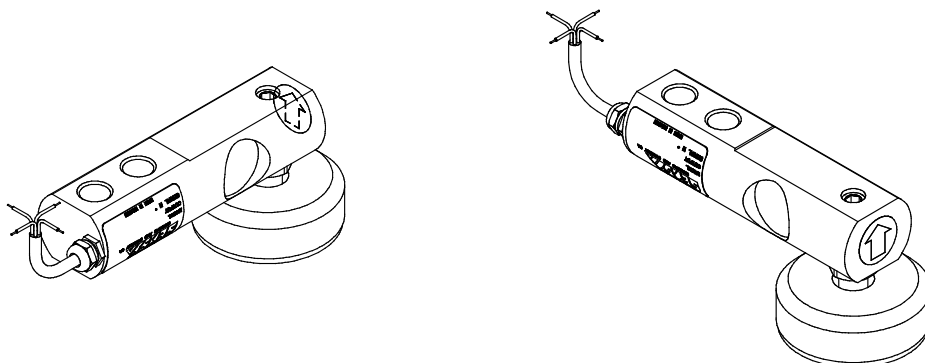


Ref. Item*	Capacities
F5510-A	0.5 - 2 t
* Material: stainless steel	

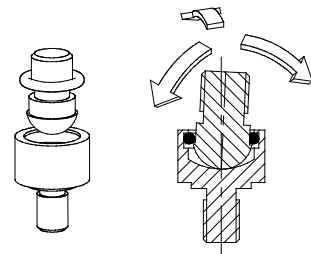
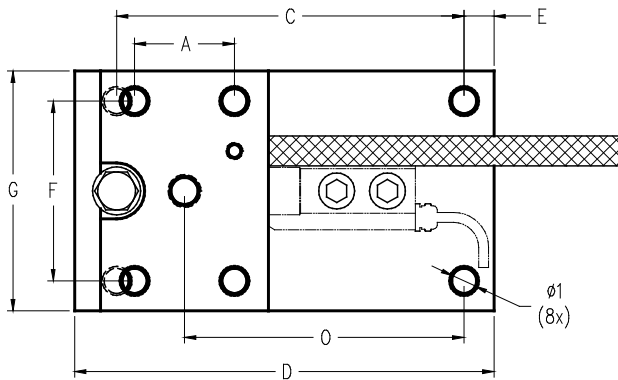
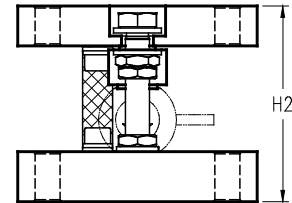
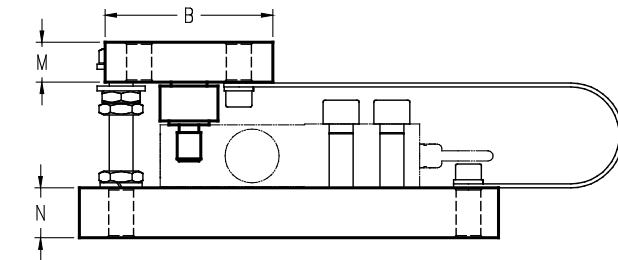
→ Other capacities and dimensions available on request

Dimensions in mm

Other views



→ I5510-I5515 > STANDARD DIMENSIONS



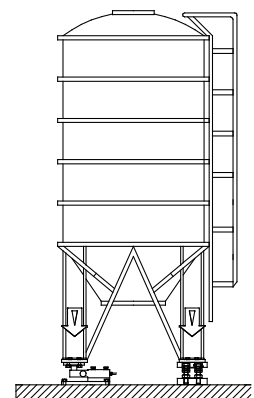
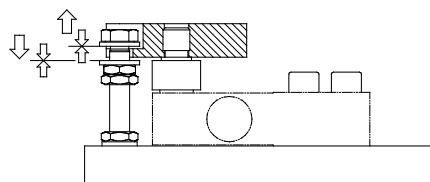
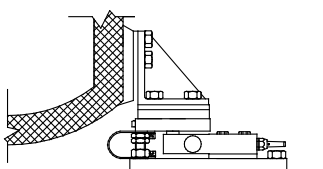
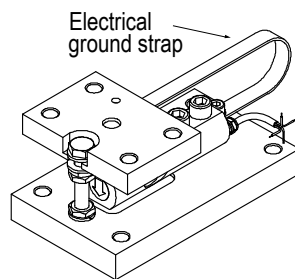
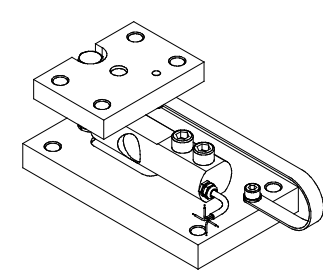
Ref. Item*	Capacities	A	B	C	D	E	F	G	M	N	O	Ø1	H2	Weight (kg)
I551x-A	0.5 - 2 t	50	84	174	210	15	90	120	20	25	140	12.5	98	±6.76

* x=Material: I5510 - stainless steel; I5515 - alloy steel

→ Other capacities and dimensions available on request

Dimensions in mm

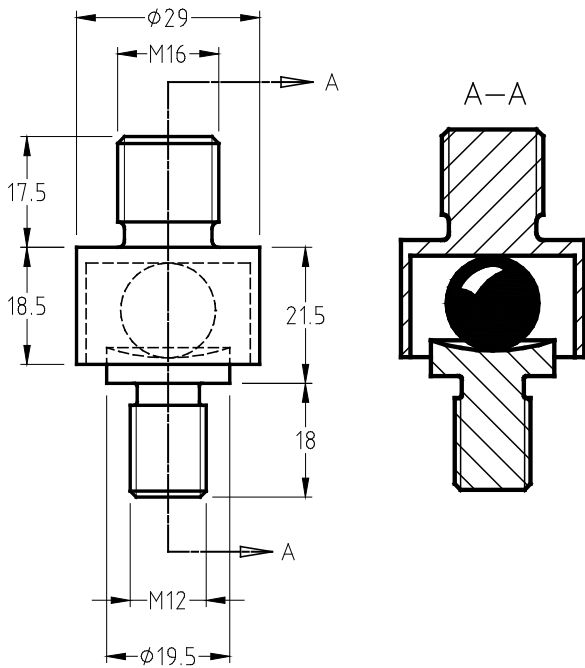
Other views



R5510 > STANDARD DIMENSIONS

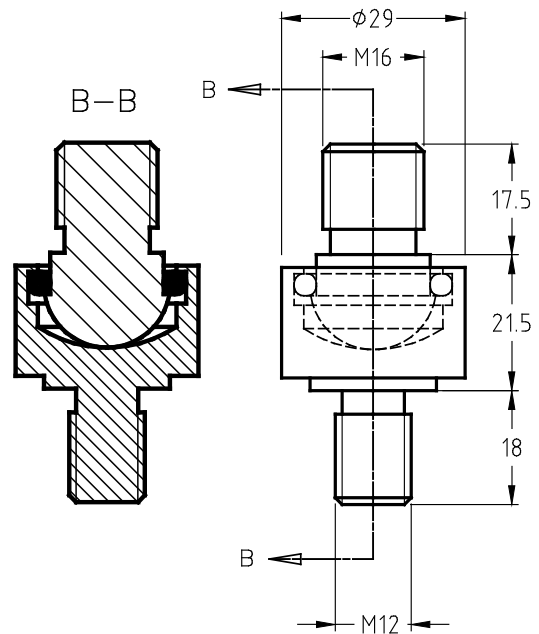
R5510-A1

Range: 500 kg - Weight: 0.097 kg



R5510-A2

Range: 750 kg - Weight: 0.127 kg



Ref. Item*	Capacities
R5510-A1	500 kg
R5510-A2	750 kg - 2 t

* Material: R5510 - stainless steel

→ Other capacities and dimensions available on request

Dimensions in mm

Other views

