

5000M

LOAD SHACKLES

Load measuring shackles designed to measure tension force.



Model 5000M - 30 t



Features

- o CE certified for hoisting applications
- o Sturdy design
- o Load pin material: stainless steel
- o Protection class: IP65
- o Easy to install
- o Cable length: 6 m (other lengths available on request)
- o Complete range of CE certified electronics and load limiters

Most popular options



Ex i



IP68

Application(s)

SENSY's load shackles 5000M are perfectly designed for the following applications:

- Hoisting devices and crane security in combination with load limitation electronics,
- Industrial weighing,
- Force measurement on test benches,
- Force measurement on rigging,
- Theater rigging equipment.

Capacities

from 1.5 t to 400 t

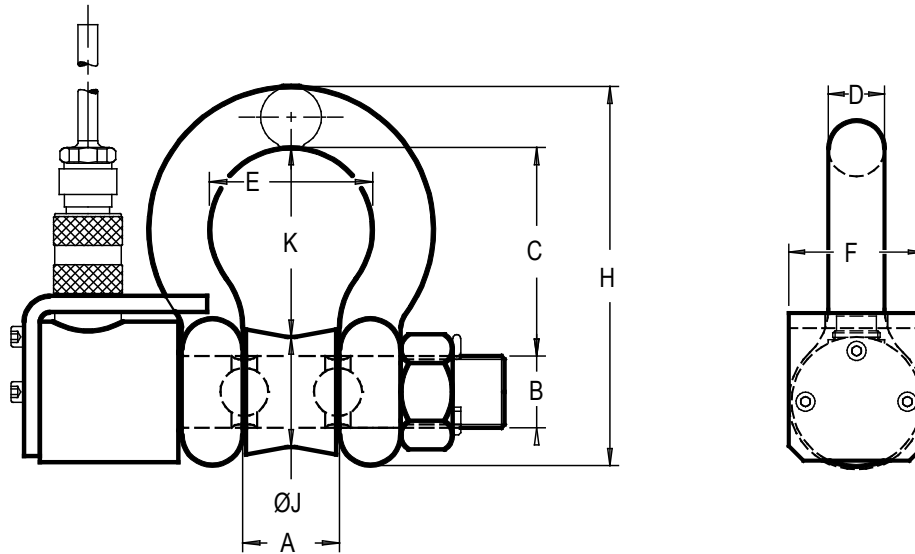
Specifications	SL - FORCE	SL - HOIST	
Combined error (non-linearity + hysteresis)	0.25 - 1**	0.5 - 2**	% F.S.*
Repeatability error	<± 0.25	<± 0.25	% F.S.*
Creep error over 30 min.	<± 0.3	<± 0.3	% F.S.*
Zero shift after loading	<± 0.5	<± 0.5	% F.S.*
Reference temperature	23	23	°C
Compensated temperature range	-10...+45	-10...+45	°C
Service temperature range	-25...+70	-25...+70	°C
Storage temperature range	-50...+85	-50...+85	°C
Temperature coefficient of the sensitivity	<± 0.2	<± 0.2	% F.S./10°C
Temperature coefficient of zero signal	<± 0.2	<± 0.2	% F.S./10°C
Zero balance	± 0.02	± 0.02	mV/V
Nominal sensitivity	± 1.5	± 1	mV/V
Input resistance	350 ± 2	350 ± 2	ohm(s)
Output resistance	350 ± 2	350 ± 2	ohm(s)
Insulation resistance (50 V)	> 5000	> 5000	Mohm(s)
Reference excitation voltage	10	10	VDC
Permissible nominal range of excitation voltage	3...12	3...12	VDC
Safe load limit	150	200	% F.S.*
Breaking load	> 300	> 500	% F.S.*
Permissible dynamic loading	50	75	% F.S.*
Static lateral force limit	100	150	% F.S.*

* F.S. : Full Scale.

** Typical range of accuracy, depending on design and dimensions.

Specifications subject to change without notice.

5000M > STANDARD DIMENSIONS



Ref. Item	Capacities			D		A	B	C	E	F	H	ØJ	K	Tolerances C & K	Total weight (kg)
	Force		Hoist	(mm)	(inch)										
	Standard > 300 %**	Extended capacity* > 300 %**	> 500 %**												
5000M-3/4"	2.5 t	3 t	1.5 t	19	3/4"	31.8±1.5	22.5	71.5	51	93±3	126±8.6	34	65	±6.4	2.18
5000M-7/8"	4 t	6 t	2.5 t	22	7/8"	36±2.2	25	83	58	93±3	143.5±8.6	35.5	78	±6.4	2.7
5000M-1"	6 t	8 t	4 t	25	1"	43±2.4	28	95	68	93±3	163.5±8.6	37	90.5	±6.4	3.832
5000M-1" 1/8	8 t	10 t	5 t	28	1" 1/8	47±2.4	32	108	75	93±3	185±8.9	40	104	±6.4	4.58
5000M-1" 1/2	12 t	15 t	8 t	38	1" 1/2	60±4	42	146	99	93±3	249±9.9	54	140	±6.4	9.473
5000M-1" 3/4	16 t	25 t	12 t	45	1" 3/4	74±4	50	178	126	103	299.5±11.2	65	171	±6.4	15.89
5000M-2"	30 t	40 t	20 t	50	2"	83±4.2	57	197	138	111	331±17.5	72	189.5	±12.7	21.62
5000M-2" 1/2	40 t	50 t	30 t	65	2" 1/2	105±4.7	70	260	180	145	432.5±18.7	90	250	±12.7	48.7
5000M-3"	60 t	75 t	45 t	75	3"	127±5	83	329	190	162	526.5±26	105	318	±19	68.3
5000M-3" 3/4	90 t	125 t	60 t	95	3" 3/4	147±5	95	400	238	208	647±25	117	389	±19	124.1
5000M-4" 1/8	100 t	150 t	75 t	105	4" 1/8	169±5	108	410	275	238	688±18	130	399	±12	168.2
5000M-5" 1/8	200 t	300 t	120 t	130	5" 1/8	205±6	140	554	305	299	904±22	165	541.5	±14	290.4
5000M-6" 11/16	300 t	400 t	200 t	170	6" 11/16	231±6	175	668	325	387	1114±27	200	655	±18	585

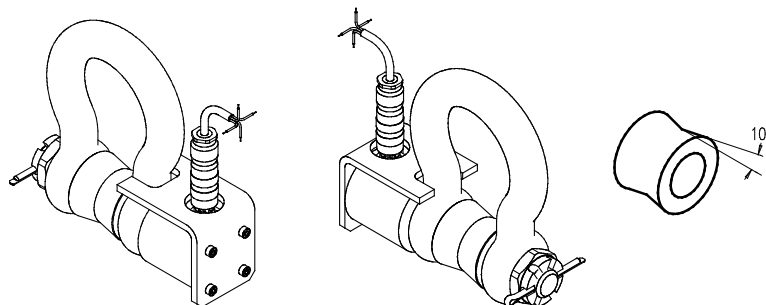
* Very high resistance load cell, special design

** Breaking load (% full scale)

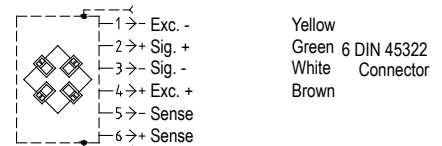
→ Other capacities and dimensions available on request

Dimensions in mm

Other views



Wiring



Standard: Cable screen not connected to transducer

Load direction

