

3500

SHEAR BEAM LOAD CELLS

Universal load cells combining sturdy design, high accuracy and low cost.



Model 3500 -10 t



Features

- o Material: stainless steel
- o Protection class: IP67
- o Sturdy design
- o Mounting kits available with following properties:
 - stabilisation without tension rods
 - compensation of defaults of parallelism
- o Cable length: see drawing table (other lengths available on request)

Most popular options



Ex i



Application(s) SENSY's load cells 3500 are perfectly designed for the following applications:

- Low-profile scales, pallets, platform scales,
- Packaging, batching and filling machines,
- Reactors, tanks, vessels or hoppers weighing.

Capacities

3500: 3 - 5 - (7.5) - 10 t

| Specifications | A3 | 0.03 % | |
|---|----------------|-------------|-------------|
| Accuracy class | 0.03 %** F.S.* | 0.03% F.S.* | - |
| Combined error (non-linearity + hysteresis) | <± 0.03 | <± 0.03 | % F.S.* |
| Repeatability error | <± 0.015 | <± 0.015 | % F.S.* |
| Creep error over 30 min. | <± 0.03 | <± 0.025 | % F.S.* |
| Reference temperature | 23 | 23 | °C |
| Compensated temperature range | -10...+45 | -10...+45 | °C |
| Service temperature range | -30...+70 | -30...+70 | °C |
| Storage temperature range | -50...+85 | -50...+85 | °C |
| Temperature coefficient of the sensitivity | <± 0.05 | <± 0.015 | % F.S./10°C |
| Temperature coefficient of zero signal | <± 0.05 | <± 0.023 | % F.S./10°C |
| Nominal sensitivity | 2 | 2 | mVV |
| Sensitivity tolerance | <± 0.2 | <± 0.2 | % |
| Input resistance | 400 ± 10 | 400 ± 10 | ohm(s) |
| Output resistance | 350 ± 3 | 350 ± 3 | ohm(s) |
| Insulation resistance (50 V) | > 5000 | > 5000 | Mohm(s) |
| Reference excitation voltage | 10 | 10 | VDC |
| Permissible nominal range of excitation voltage | 3..12 | 3..12 | VDC |
| Safe load limit | 150 | 150 | % F.S.* |
| Breaking load | >300 | >300 | % F.S.* |
| Permissible dynamic loading | 50 | 50 | % F.S.* |
| Static lateral force limit | 100 | 100 | % F.S.* |

* F.S. : Full Scale.

** : except thermal drifts

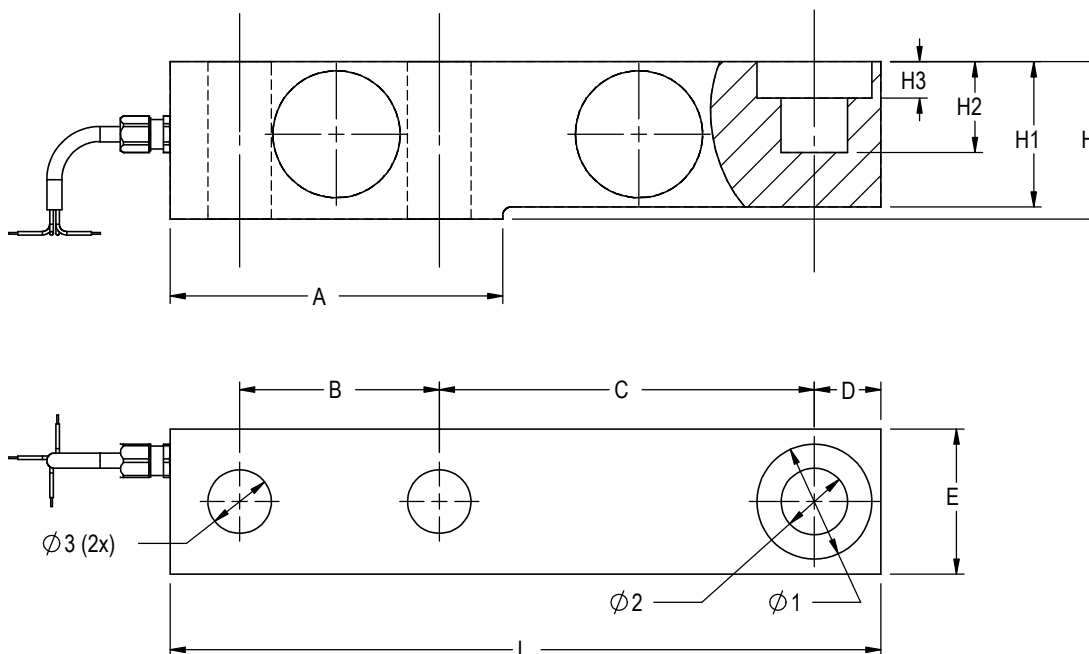
Specifications subject to change without notice.



ISO 9001 certified

rev. : 09/07/2020

→ 3500 > STANDARD DIMENSIONS

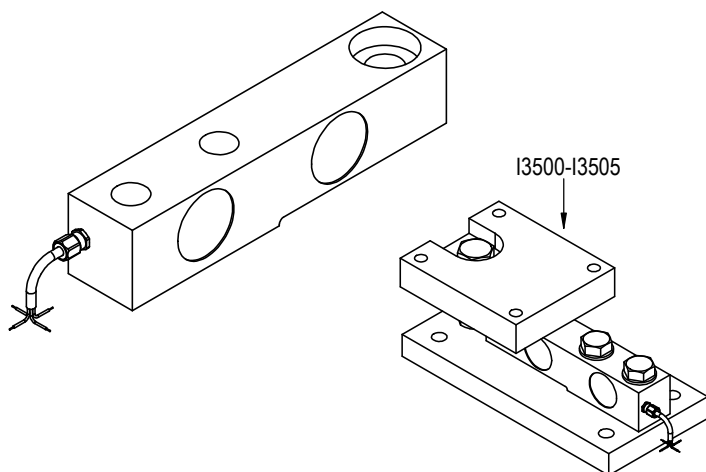


| Ref. Item | Capacities | L | A | B | C | D | E | H | H1 | H2 | H3 | Ø 1 | Ø 2 | Ø 3 | CL (m) | Weight (kg) |
|-----------|------------|-----|-----|----|-----|----|------|----|------|------|-----|-----|-----|-----|--------|-------------|
| 3500-A | 3 t | 203 | 95 | 64 | 98 | 22 | 36.6 | 43 | 36.6 | 30.5 | 8 | 32 | 16 | 13 | 3 | 2.15 |
| 3500-B | 5 - 7.5 t | 235 | 110 | 66 | 124 | 22 | 48 | 52 | 48 | 30 | 12 | 38 | 22 | 21 | 5 | 4.01 |
| 3500-C | 10 t | 279 | 133 | 82 | 140 | 32 | 60 | 67 | 60 | 20 | 8.5 | 48 | 32 | 28 | 6 | 7.26 |

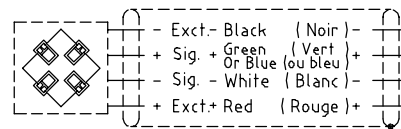
→ Other capacities and dimensions available on request

Dimensions in mm

Accessories

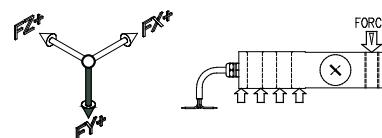


Wiring

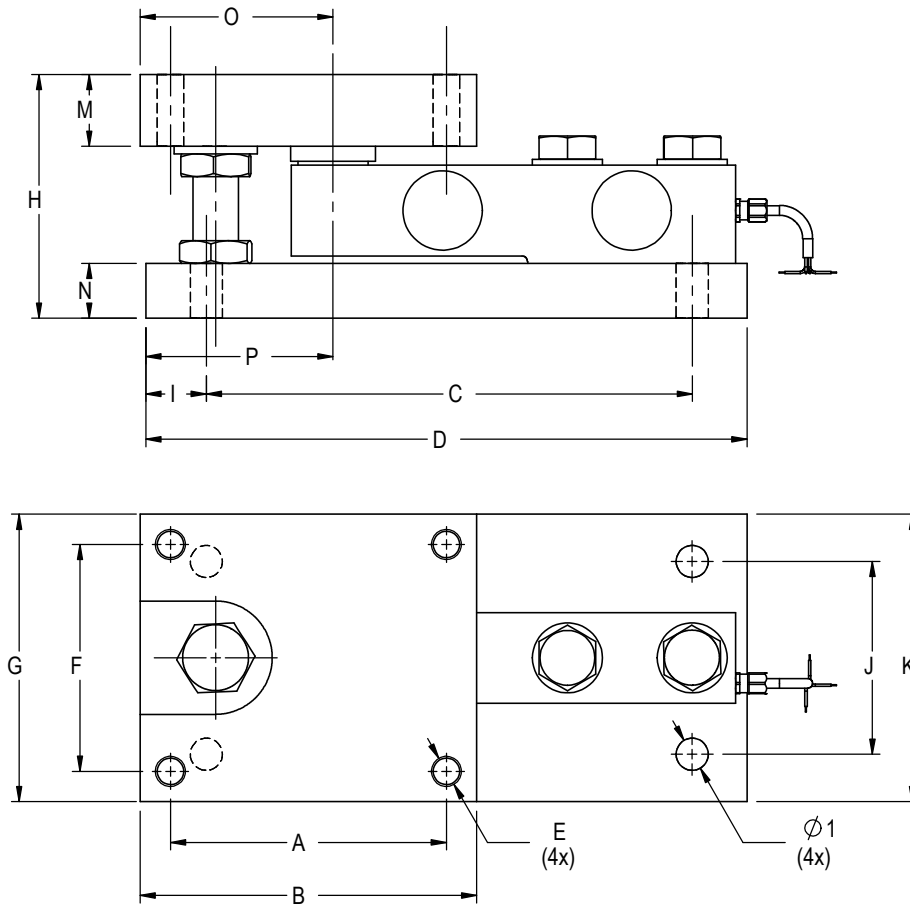


Standard : Cable screen not connected to transducer
Faradisation non connectée au capteur

Load direction



I3500-I3505 > STANDARD DIMENSIONS



| Ref. Item* | Capacities | A | B | C | D | E | F | G | H | I | J | K | M | N | O | P | Ø 1 |
|------------|------------|-----|-----|-----|-----|-----|-----|-----|-----|----|-----|-----|----|----|-----|-----|-----|
| I350x-A | 3 t | 124 | 150 | 226 | 286 | M10 | 102 | 112 | 102 | 32 | 80 | 112 | 28 | 23 | 99 | 96 | 13 |
| I350x-B | 5 - 7.5 t | 146 | 178 | 257 | 318 | M16 | 120 | 152 | 129 | 32 | 102 | 152 | 38 | 29 | 102 | 99 | 17 |
| I350x-C | 10 t | 152 | 184 | 295 | 360 | M20 | 122 | 154 | 166 | 32 | 106 | 154 | 44 | 44 | 108 | 105 | 21 |

* Material : I3500 - stainless steel ; I3505 - alloy steel

→ Other capacities and dimensions available on request

Dimensions in mm

Other views

