

3300

INSERTABLE STRAIN SENSOR - INSERTGAGE®

Insertable extensometer designed to measure the force in a structure



Model 3300



Features

- o Designed to measure:
 - tension, compression shear and bending force
 - torque
- o One unique model regardless of the capacity range
- o Material: stainless steel
- o Protection class: IP67
- o Very competitive prices
- o Easy to install (one hole to drill)
- o Accuracy in the structure: 2 to 5 %
- o Cable length: 0.25 or 5 m (other lengths available on request)

Most popular options

Ex i



Application(s) SENSY's insertable strain sensor 3300 is perfectly designed for the following applications:

- Silos, hoppers, tanks, reactors or containers weighing,
- Level measurement,
- Stress measurement on machines,
- Force distribution control,
- Rail weighing,
- Set-point detection.

Capacities

3300: 40 to 120 N/mm²

Specifications	2 - 5 %	
Reference temperature	23	°C
Compensated temperature range	-10...+45	°C
Service temperature range	-30...+60	°C
Storage temperature range	-50...+85	°C
Nominal sensitivity	± 1 **	mV/V
Input resistance	700 ± 2	ohm(s)
Output resistance	700 ± 2	ohm(s)
Insulation resistance (50 V)	> 5000	Mohm(s)
Reference excitation voltage	10	VDC
Permissible nominal range of excitation voltage	3...12	VDC

* F.S. : Full Scale.

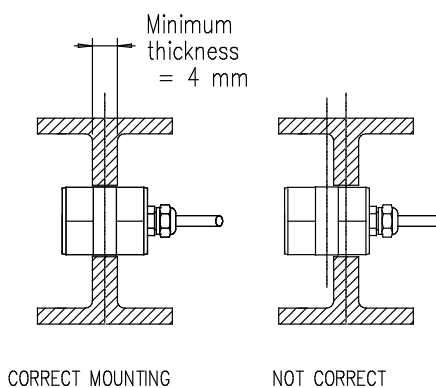
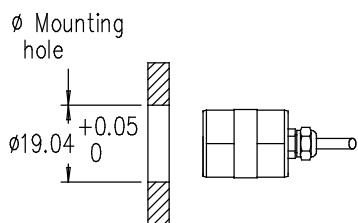
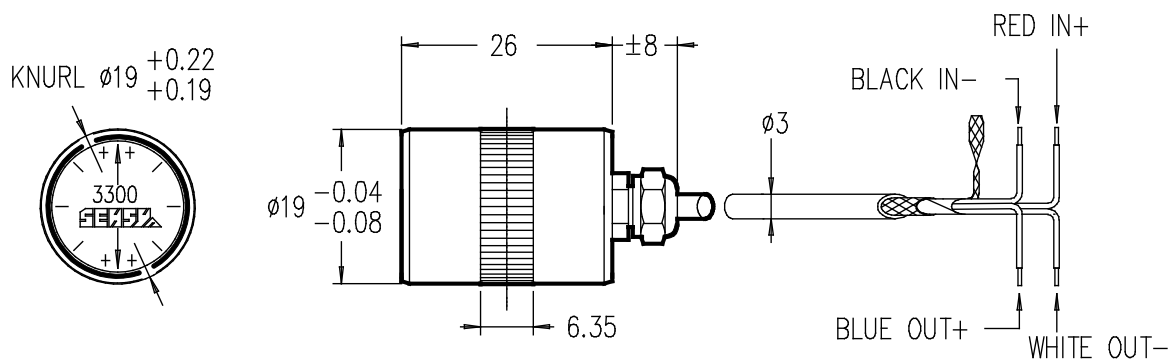
** : for a stress of ± 10 kg/mm²

Specifications subject to change without notice.



ISO 9001 certified

3300 > STANDARD DIMENSIONS

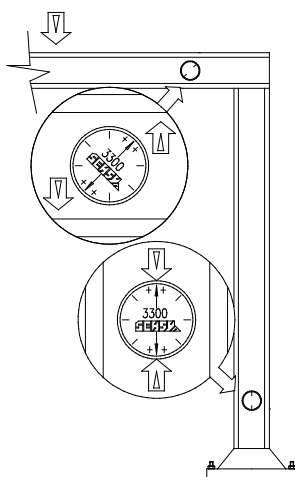
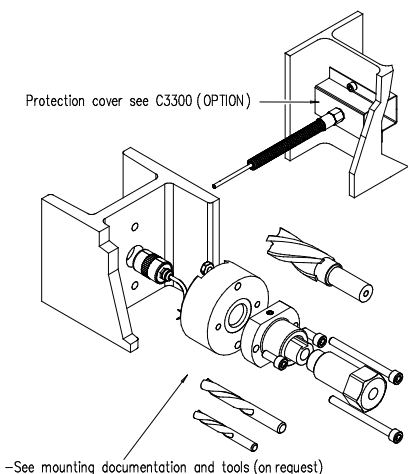


Ref. Item	Capacities	
3300-A	40 to 120 N/mm ²	One unique model regardless of the capacity range

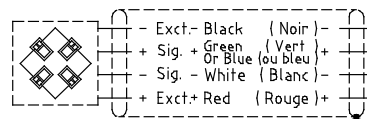
Other capacities and dimensions available on request

Dimensions in mm

Accessories

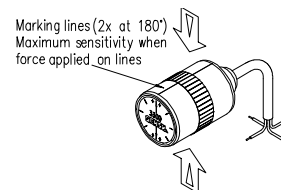


Wiring

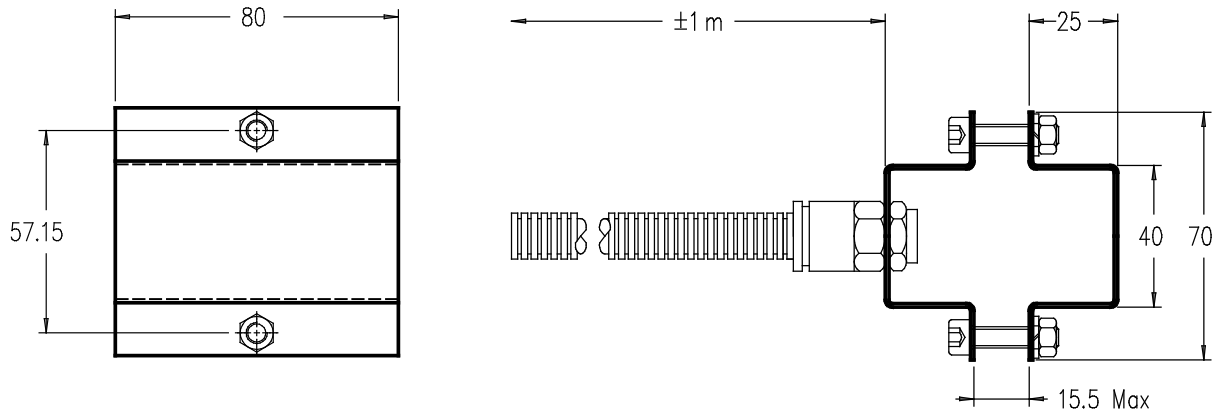


Standard : Cable screen not connected to transducer
Faradisation non connectée au capteur

Load direction



→ C3300 > STANDARD DIMENSIONS



Ref. Item*

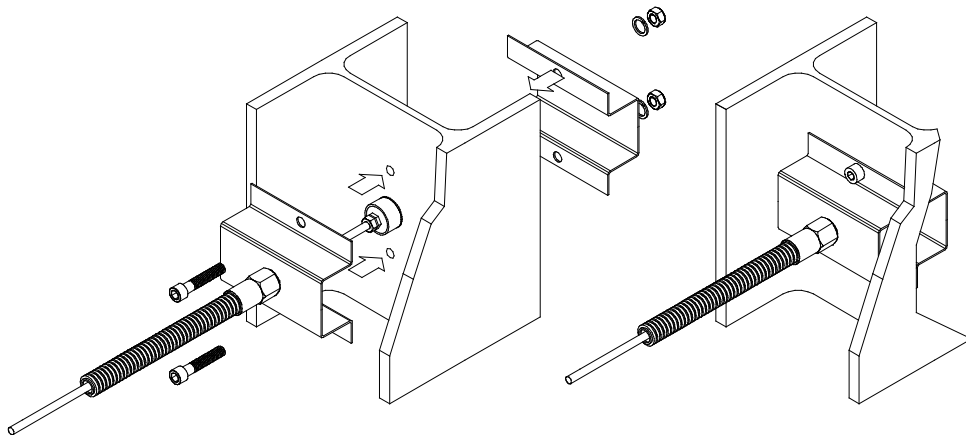
C3300-A

* Material: stainless steel

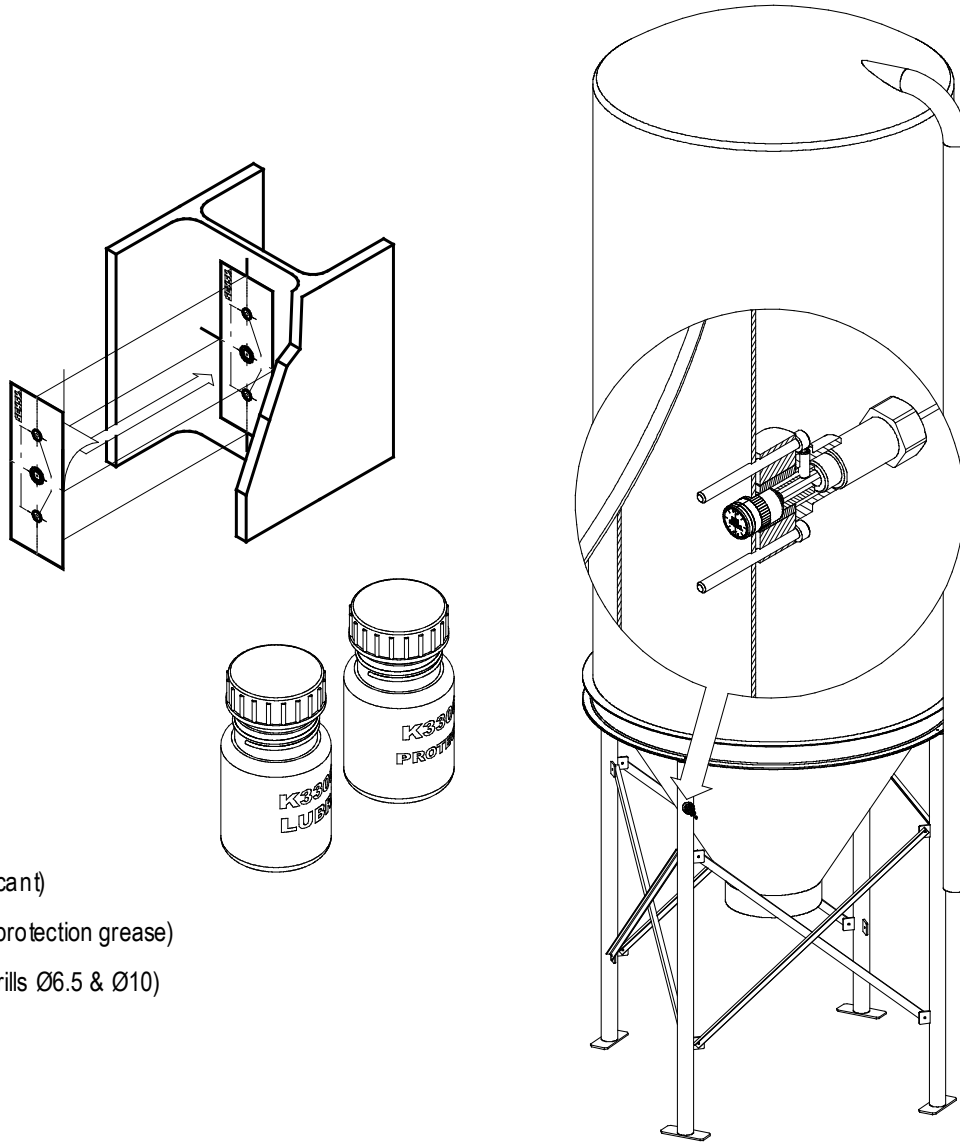
→ Other capacities and dimensions available on request

Dimensions in mm

Other views



→ K3300 > STANDARD DIMENSIONS



Included:

K3300 LUBRI (lubricant)

K3300 PROTECT (protection grease)

K3300 D6 & S10 (drills Ø6.5 & Ø10)

Ref. Item*

K3300-A

* Material: stainless steel

→ Other capacities and dimensions available on request

Dimensions in mm

Other view

