

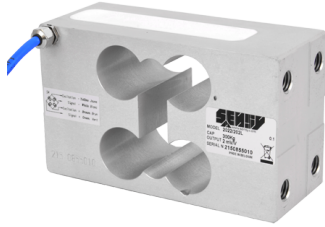
2022

## SINGLE POINT LOAD CELL "OFF CENTER"

Single point load cell specially designed for platform and hopper weighing.



Model 2022/2022-F - 300 kg



### Features

- o Designed for off-center load
- o Maximum platform size: 800 x 800 mm
- o Material: anodised aluminium alloy
- o Protection class: IP64
- o Easy to install
- o Complies with OIML / R60 up to 3000 d for scales in class III according to EN 45501
- o Cable length: 3 m (other lengths available on request)

### Most popular options



Ex i



**Application(s)** SENSY's load cell 2022 is perfectly designed for the following applications:

- Industrial scales and platforms, retail and computing scales, airport weighing scales.
- Medium-sized hoppers weighing, filling, packaging and batching applications.

### Capacities

2022: 100 - 150 - (200) - 300 - 500 kg

Specifications	0.03 %	C 3	
Accuracy class	0.03% F.S.*	3000 d OIML	-
Combined error (non-linearity + hysteresis)	<± 0.03	<± 0.02	% F.S.*
Repeatability error	<± 0.015	<± 0.01	% F.S.*
Creep error over 30 min.	<± 0.025	<± 0.02	% F.S.*
Zero shift after loading	<± 0.0075	<± 0.005	% F.S.*
Reference temperature	23	23	°C
Compensated temperature range	-10...+45	-10...+45	°C
Service temperature range	-30...+70	-30...+70	°C
Storage temperature range	-50...+85	-50...+85	°C
Temperature coefficient of the sensitivity	<± 0.015	<± 0.009	% F.S.* / 10°C
Temperature coefficient of zero signal	<± 0.023	<± 0.013	% F.S.* / 10°C
Zero balance	± 0.02	± 0.02	mV/V
Nominal sensitivity	2	2	mV/V
Sensitivity tolerance	<± 0.2	<± 0.1	%
Input resistance	350 ± 2	350 ± 2	ohm(s)
Output resistance	350 ± 2	350 ± 2	ohm(s)
Insulation resistance (50 V)	> 5000	> 5000	Mohm(s)
Reference excitation voltage	10	10	VDC
Permissible nominal range of excitation voltage	3...12	3...12	VDC
Safe load limit	150	150	% F.S.*
Breaking load	>300	>300	% F.S.*
Permissible dynamic loading	60	60	% F.S.*
Static lateral force limit	100	100	% F.S.*

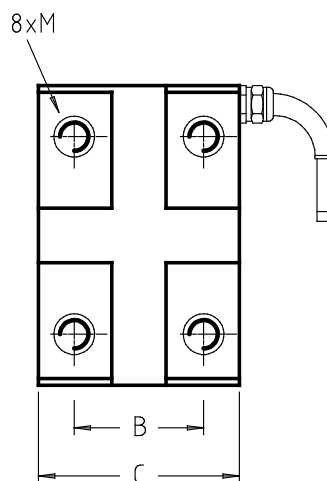
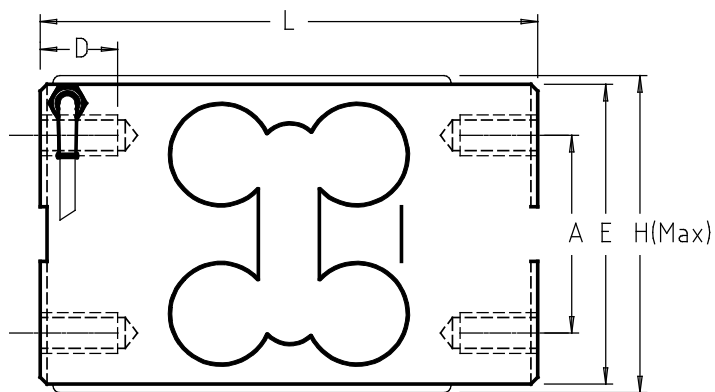
\* F.S. : Full Scale.

Specifications subject to change without notice.



ISO 9001 certified

2022 > STANDARD DIMENSIONS



Note: Correct torque for fixing bolts:  
 30 N·m (M12 100–500 kg)  
 70 N·m (M16 750–1000 kg)  
 (don't touch bottom of tapped holes)

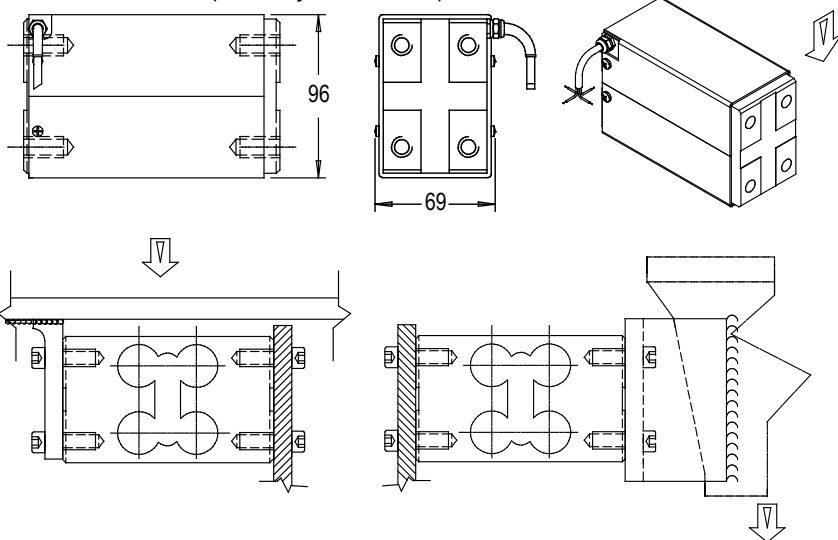
Ref. Item	Capacities	A	B	C	D	E	H	L	M	Max. Platform Size	Max. Deflexion (mm)	Weight (kg)
2022-A	100 - 500 kg	58	38	58	25	88	90	146	12	800x800	0.6 to 1	0.48

→ Other capacities and dimensions available on request

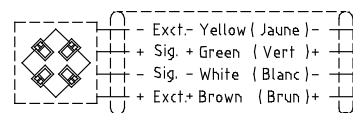
Dimensions in mm

Other views

F = COVER OPTION (mandatory for Ex i version)



Wiring



Standard : Cable screen not connected to transducer  
 Faradisation non connectée au capteur

Load direction

