

The WI-T24TR-ACM is a wireless radio transmitter for analogue measurement signals. It is available in 3 housing versions and for 3 kinds of input signals (mV/V, V and mA).



WI-T24TR-ACM



Features

- o Frequency: 2.4 GHz
- o Power: 10 mW (licence: exemption)
- o Range: 800 m (exception for WI-T24TR-ACMM: 500 m)
- o High accuracy, high resolution
- o Type:
 - WI-T24TR-ACM:
 - housing: 164x84x57 mm, protection class IP67
 - power supply: from 5 to 18 VDC or 2 x D cells (2 x 1.5 VDC)
 - autonomy: with 2 alkaline 10 Ah cells: 280 days**
 - WI-T24TR-ACMI:
 - housing: 80x62x34 mm, protection class IP67
 - power supply: 2 x AA cells (2 x 1.5 VDC)
 - autonomy with 2 alkaline 2.2 Ah cells: 60 days**
 - WI-T24TR-ACMM:
 - housing: 76x35x20 mm, protection class IP50
 - power supply: 2 x AAA cells (2 x 1.5 VDC)
 - see option WI-T24TR-ACMM-BATT on technical drawings
 - autonomy with 2 alkaline 1 Ah cells: 28 days**
- o Antenna: integrated

Application(s) SENSY's WI-T24TR-ACM, -ACMI and -ACMM are perfectly designed for the following application:

- Wireless transmission of the sensor signal mounted on mobile equipment or a mobile crane.

Function(s)

- Linearisation of the transducer signal.
- Stand-by and activation by radio.
- Remote-control batteries.

Specifications	WI-T24TR-ACM(x)-SA***	WI-T24TR-ACM(x)-IA***	WI-T24TR-ACM(x)-VA***	
Input range	±3.2 mV/V	0...21 mA	0...10 V	-
Sensor excitation	4.5...5.25 VDC	-	-	-
Non-linearity error	< 0.0025	< 0.0025	< 0.0025	% F.S.*
Impedance of Wheatstone bridge	85...5000	-	-	ohm(s)
A/D converter	250 000	10 000	11 000	-
Internal resolution	16 000 000	16 000 000	16 000 000	-
Converter rate	10...1000 ms	10...1000 ms	10...1000 ms	-
Service temperature range	-20...+55	-20...+55	-20...+55	°C
Temperature coefficient of the sensitivity	< 0.004	< 0.05	< 0.05	% F.S./10°C
Temperature coefficient of zero signal	< 0.005	< 0.0005	< 0.0005	% F.S./10°C
Input resistance		47	100 000	ohm(s)

*F.S. : Full Scale.

** : 1 measure./s. 24h/24. Sample time: 10 ms. (WI-*-SA: Wheatstone bridge: 1 kohm / WI-*-IA: and WI-*-VA: signal generator powered by external power supply.

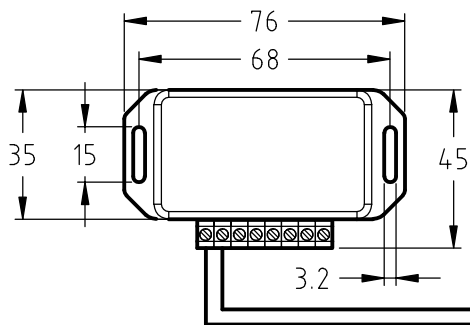
Low power mode)

*** (x): According to housing versions (-ACM, ACMI, -ACMM)

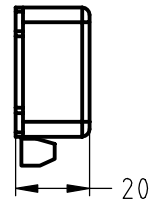
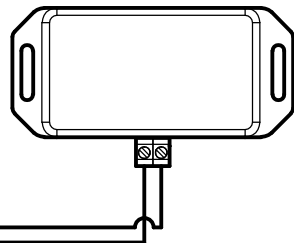
Specifications subject to change without notice..

WI-T24TR-ACM > STANDARD DIMENSIONS

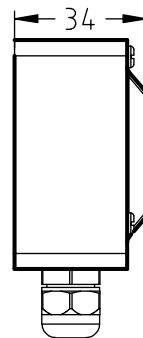
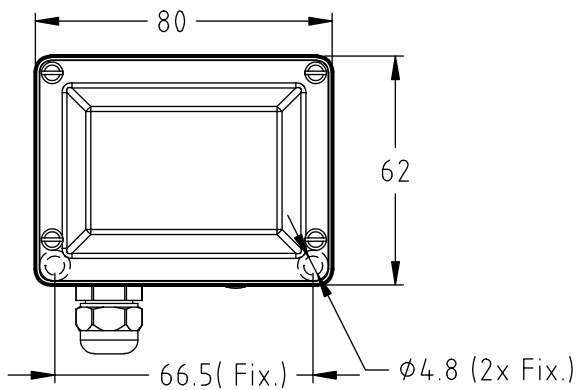
WI-T24TR-ACMM



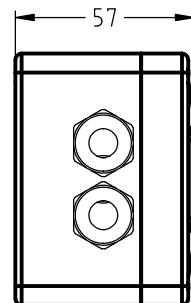
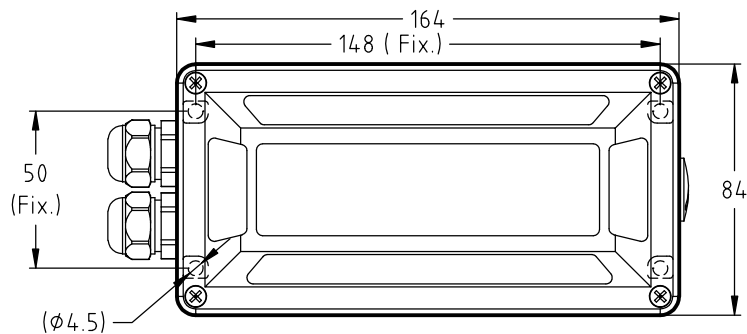
OPTION - WI-T24TR-ACMM-BATT
(2XAA 1.5V)



WI-T24TR-ACMI

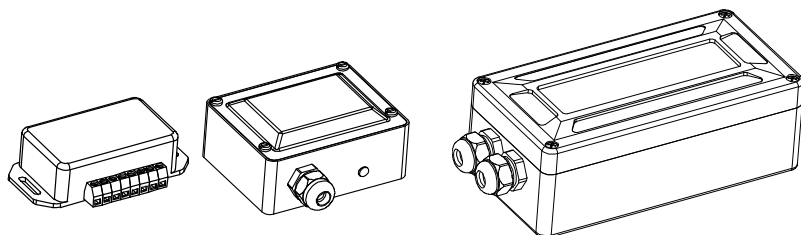


WI-T24TR-ACM



Dimensions in mm

Other views



Terminals

